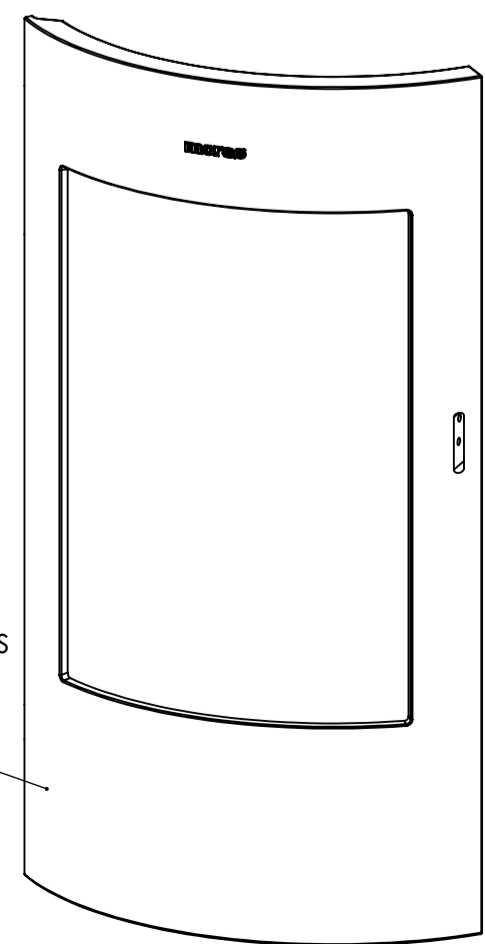
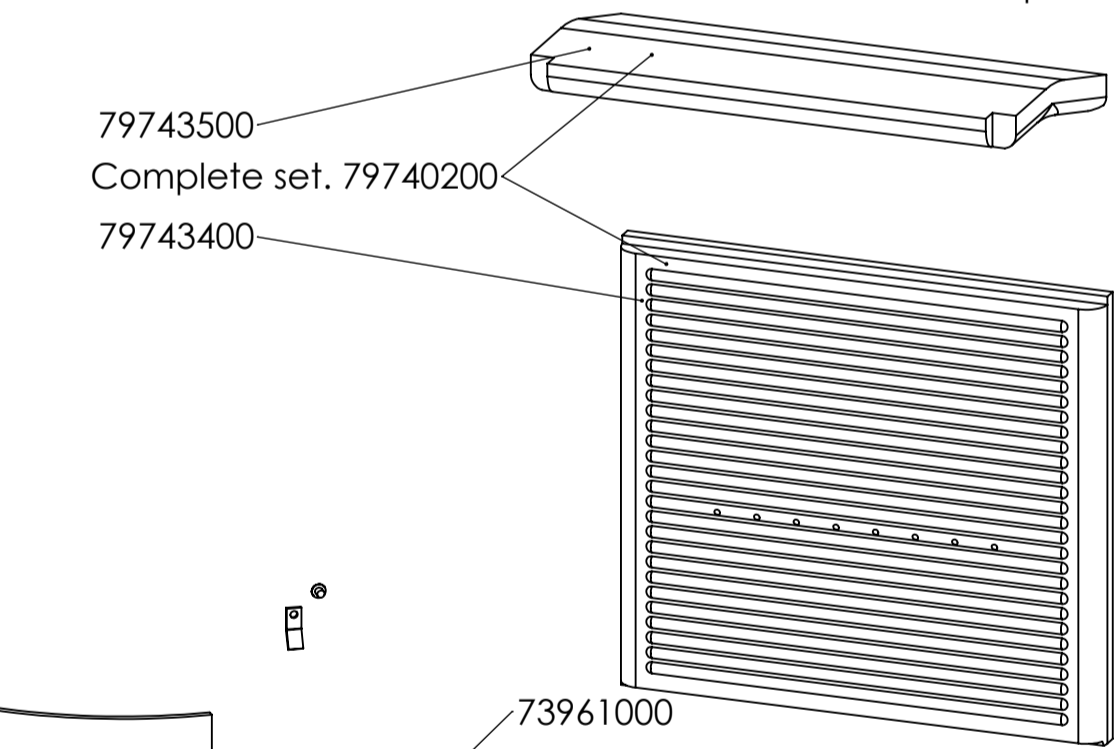


**Basic stove 7400
54740021**

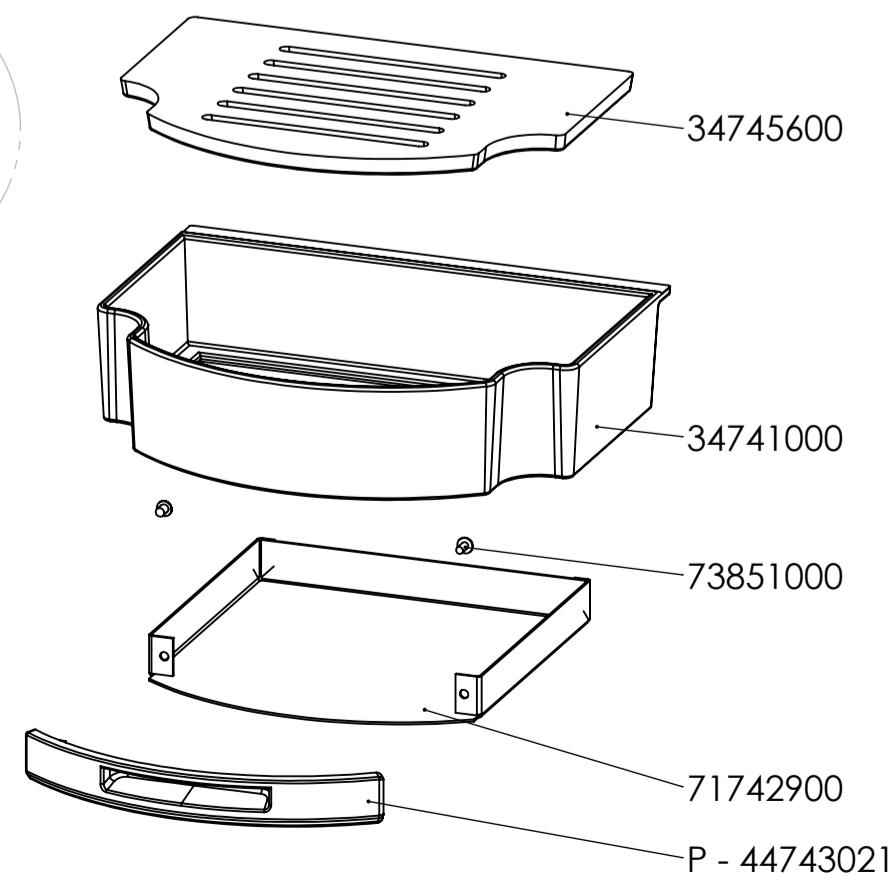
P - 44742421
V - 54742421 Complete incl. glass, sealings
and screws.



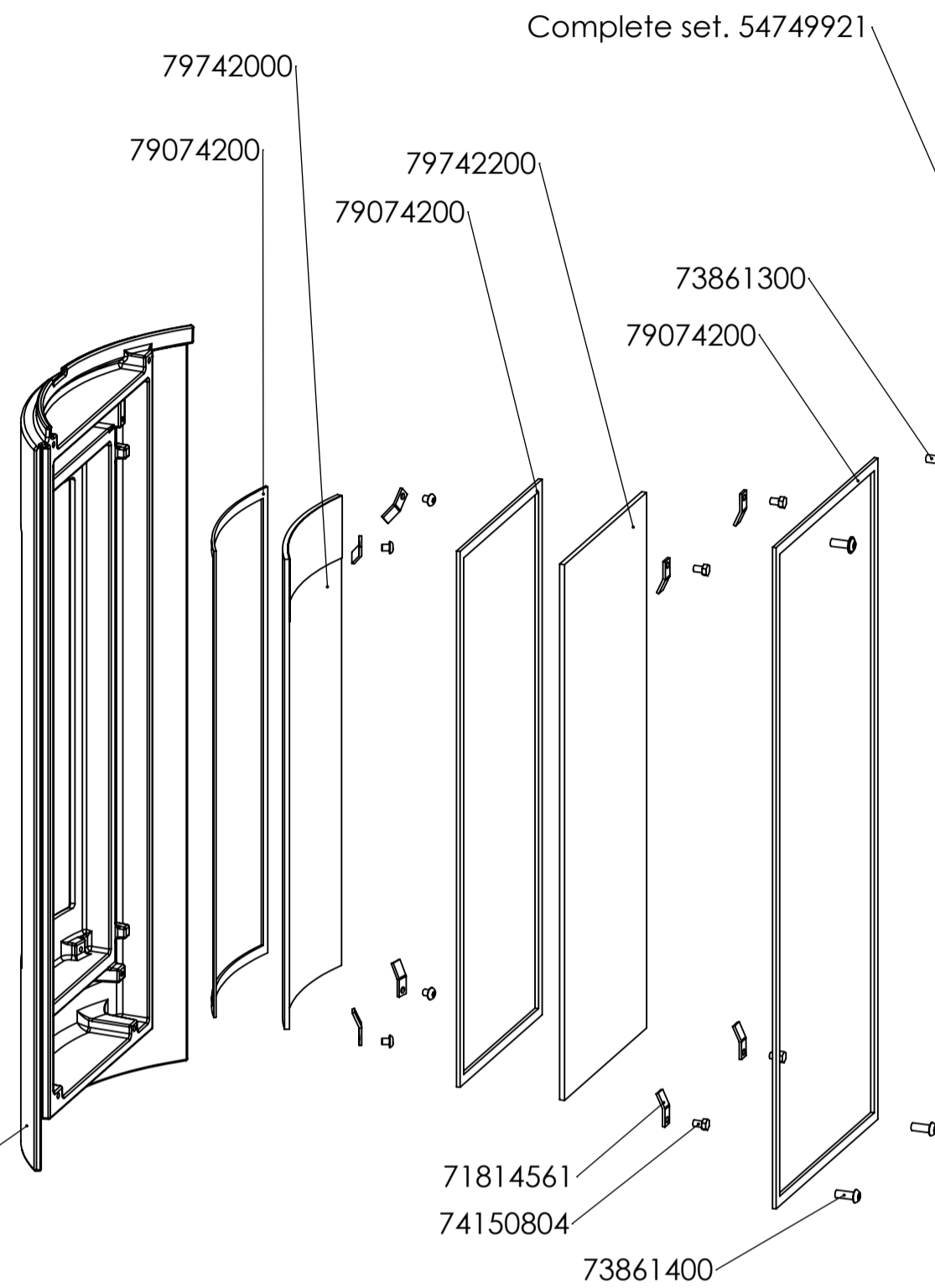
73850600
71814561
79742700
79074200



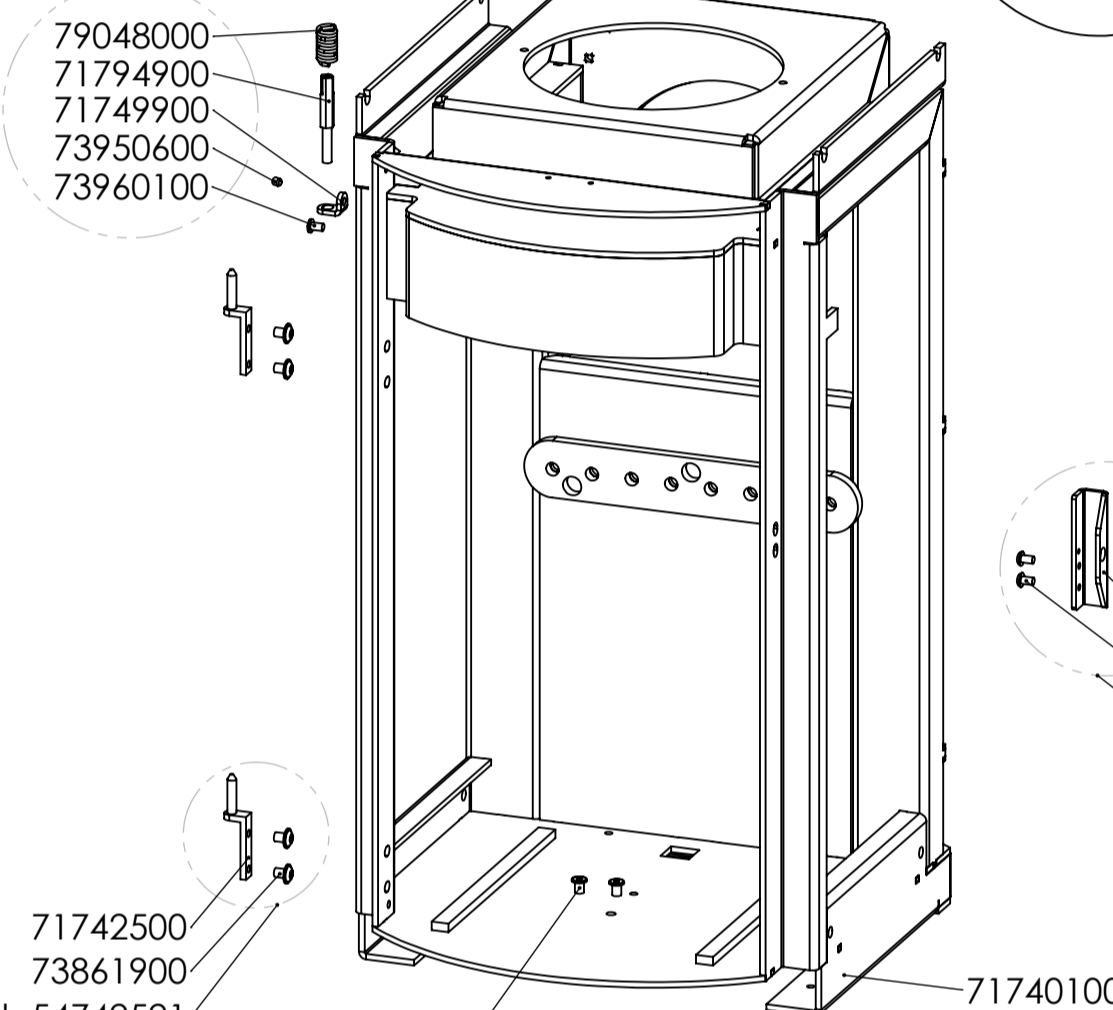
79743500
Complete set. 79740200
79743400
73961000
71181500
71749500
Complete set. 54749500



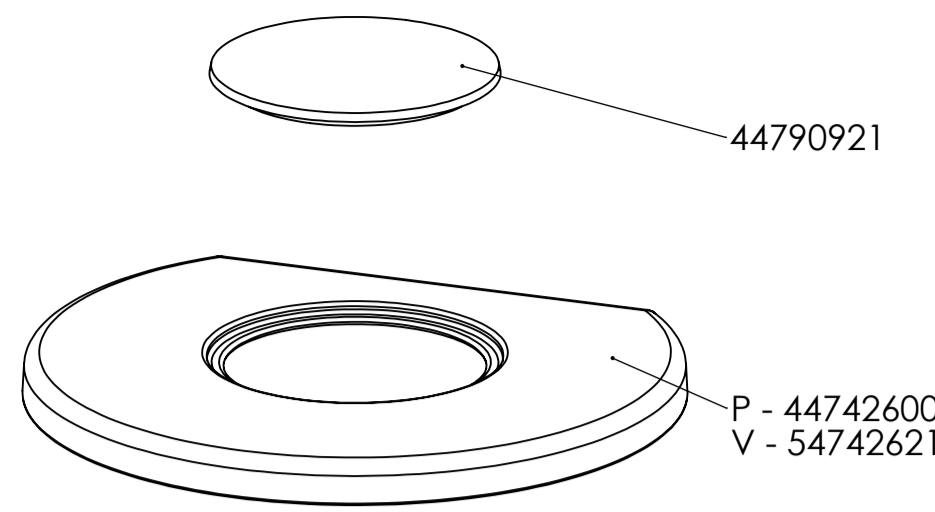
34745600
34741000
73851000
71742900
P - 44743021



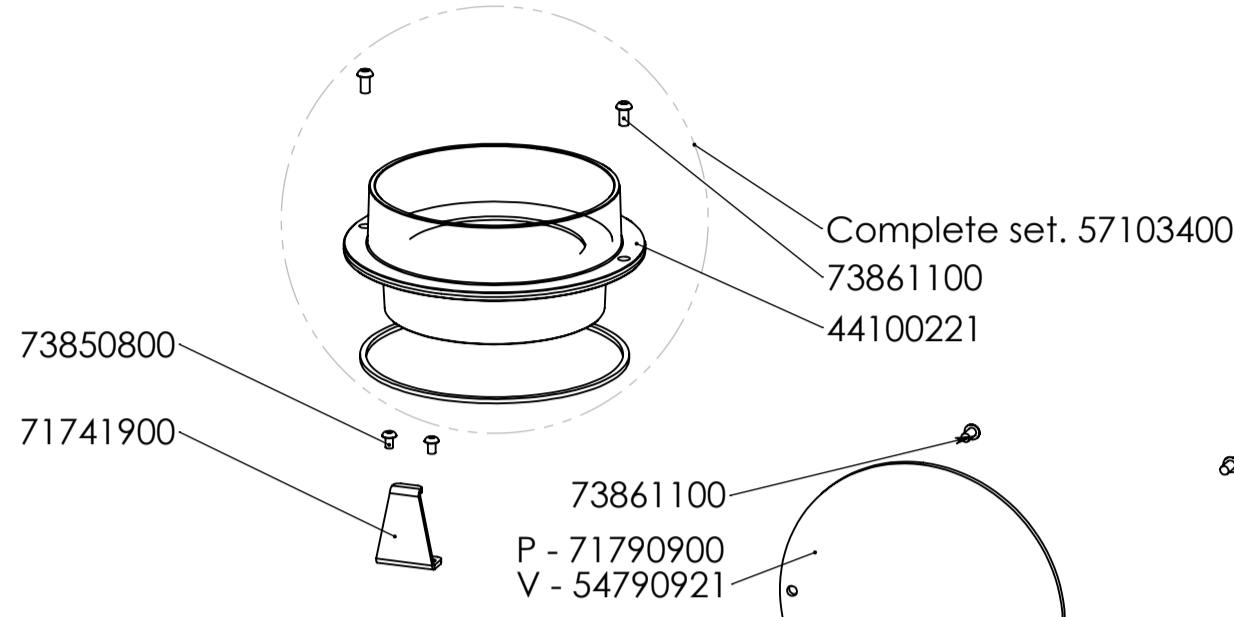
79742000
79074200
79742200
79074200
73861300
79074200
Complete set. 54749921
71814561
74150804
73861400
Complete set. 54742521



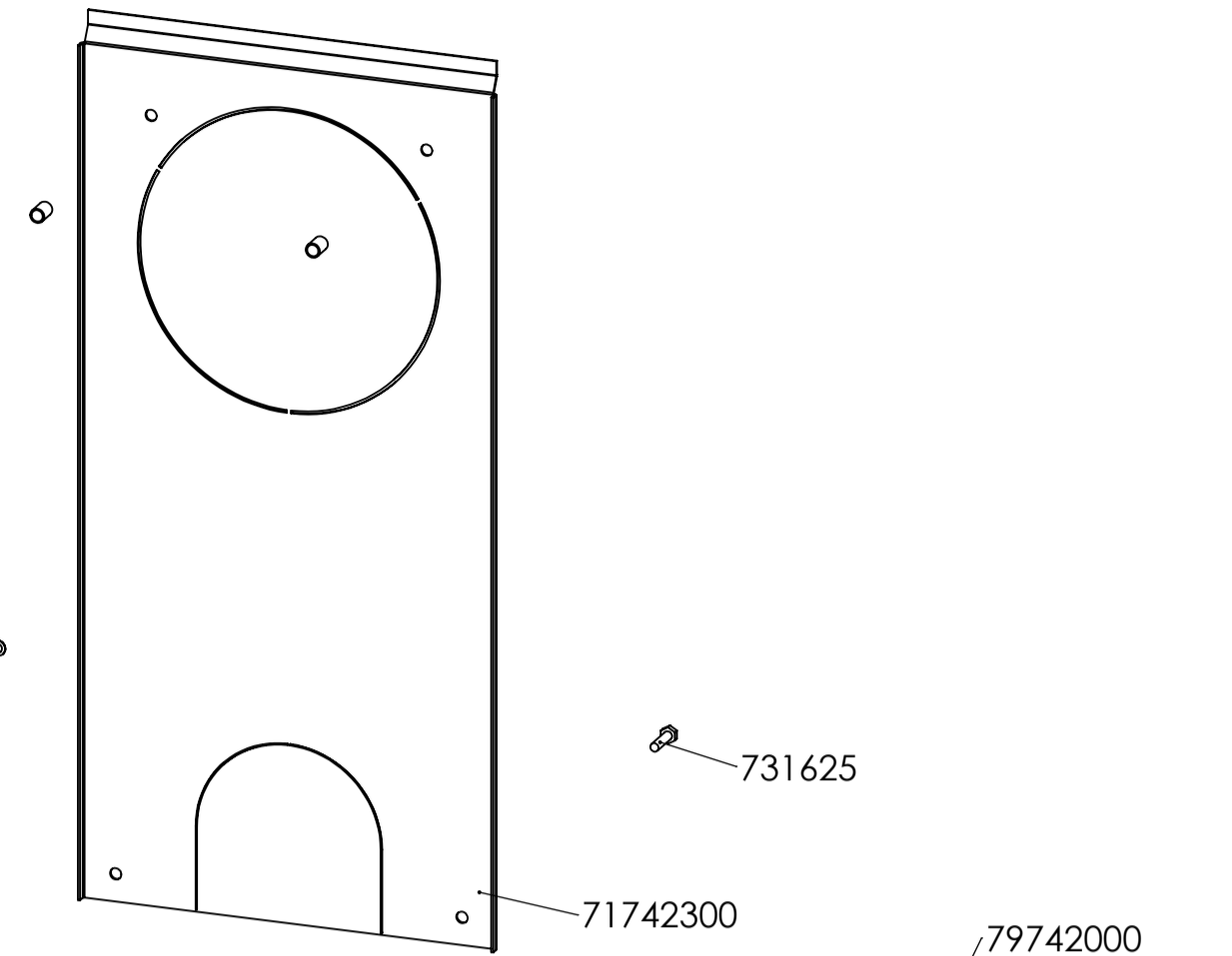
79048000
71794900
71749900
73950600
73960100
71742500
73861900
Complete set. 54742521
71740100



44790921
P - 44742600
V - 54742621

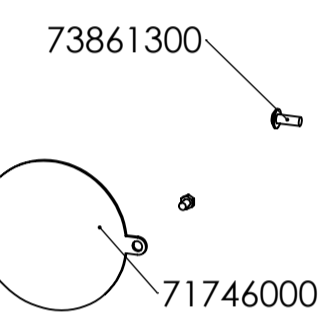


73850800
71741900
73861100
P - 71790900
V - 54790921
Complete set. 57103400
73861100
44100221

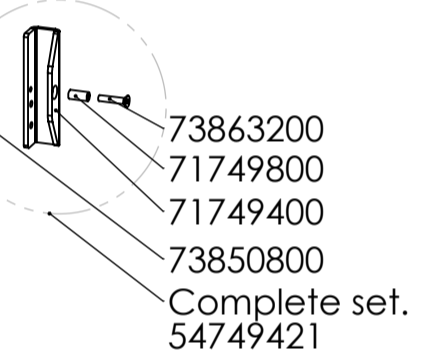


731625

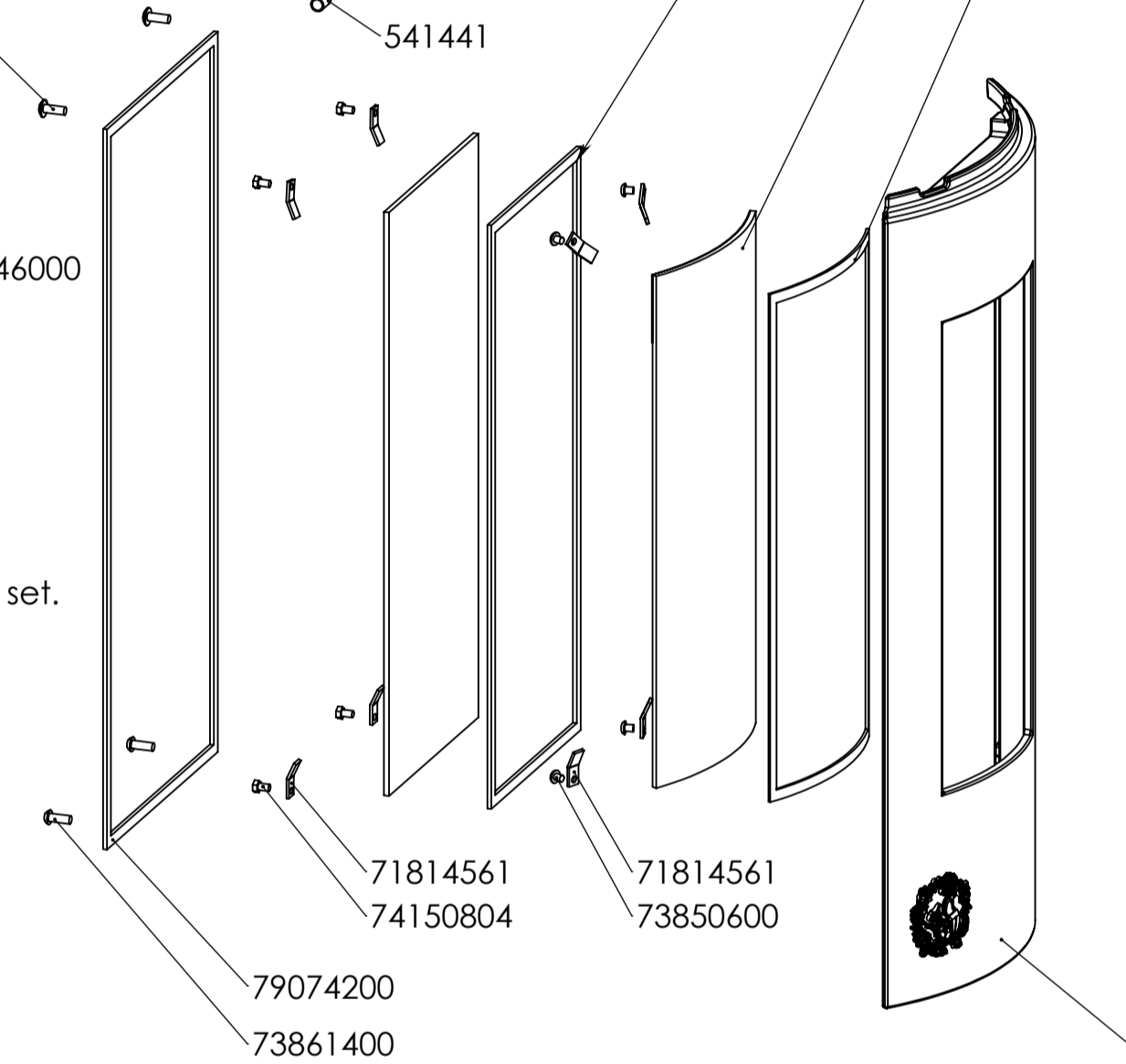
71742300



73861300
71746000



73863200
71749800
71749400
73850800
Complete set. 54749421

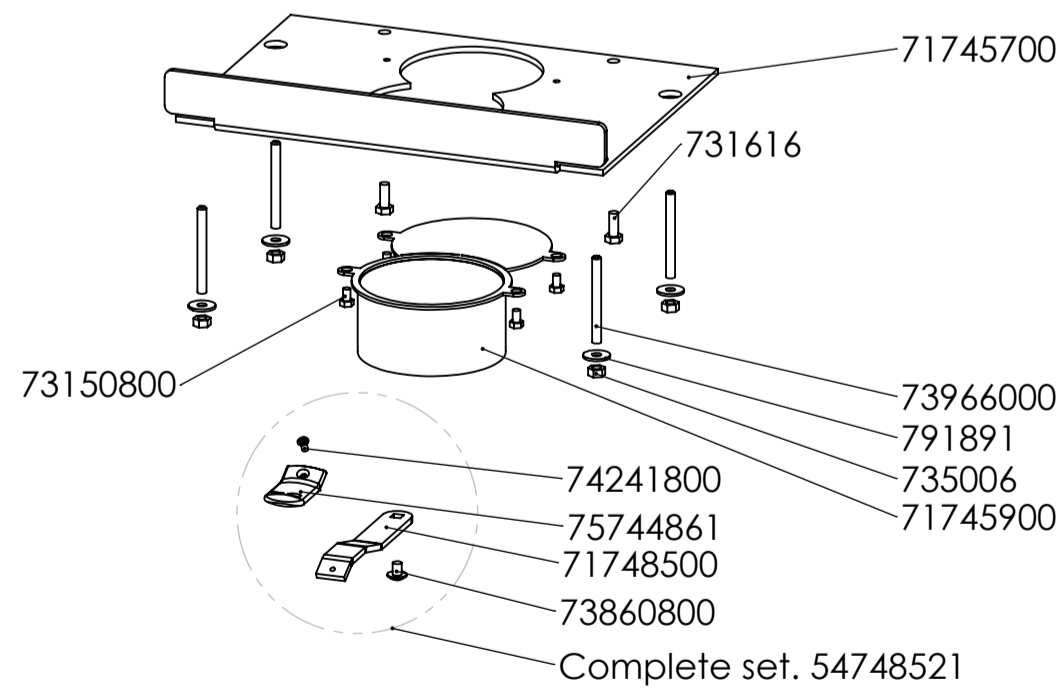


79074200
73861400

71814561
74150804

71814561
73850600

P - 44747521
V - 54747521 Complete incl. glass, sealings
and screws.



71745700
731616
73150800
74241800
75744861
71748500
73860800
Complete set. 54748521
79189500
79048600
71562600
79189500
731625

Rev.	Revisions	Sign.	Date:
Title:		Construction:	LAH 13-08-2013
Reservedelstegning		Released:	
Spareparts drawing		Format:	A1
Morsø 7400		Scale:	1:5
Drawingtype: Exploded drawing		Itemno.:	
Location of file: C:\morsø\7400\morsø_7400.dwg		Drawing no.:	7400-500 a
morsø			

This drawing is Morsø Jernstøberi A/S property and must not be sold, loaned or copied without any written authorization from the company.

Date of print: 25-10-2013