



Marlborough & Stockton

Conventional Flue Coal Effect Stove

With Upgradeable Control Valve



Instructions for Use, Installation & Servicing

For use in GB & IE (Great Britain & Republic of Ireland).

IMPORTANT

THE OUTER CASING, FRONT AND GLASS PANEL BECOME EXTREMELY HOT DURING OPERATION AND WILL RESULT IN SERIOUS INJURY AND BURNS IF TOUCHED. IT IS THEREFORE RECOMMENDED THAT A FIREGUARD COMPLYING WITH BS 8423:2002 IS USED IN THE PRESENCE OF YOUNG CHILDREN, THE ELDERLY OR INFIRM.

This product contains a heat resistant glass panel. This panel should be checked during Installation and at each servicing interval. If any damage is observed on the front face of the glass panel (scratches, scores, cracks or other surface defects), the glass panel must be replaced and the appliance must not be used until a replacement is installed. Under no circumstances should the appliance be used if any damage is observed, the glass panel is removed or broken.

It is essential that ALL of the nuts that retain the door are replaced and tightened correctly. Under no circumstances should the appliance be operated if any of these nuts are loose or missing.

These Instructions must be left with the appliance for future reference and for consultation when servicing the appliance. Please make the customer aware of the correct operation of the appliance before leaving these instructions with them.

The commissioning sheet found on Page 3 of this Instruction manual must be completed by the Installer prior to leaving the premises.

Contents

Marlborough & Stockton Conventional Flue Coal Effect

Covering the following models:

Model	Small		Medium		Large	
	Nat Gas	LPG	Nat Gas	LPG	Nat Gas	LPG
Marlborough	8560	P8560	8564	P8564	8568	P8568
Stockton	8573	P8573	8574	P8574	-	-

Appliance Commissioning Checklist3

User Instructions4

Installation Instructions 11

Technical Specifications 11

Site Requirements..... 13

Installation 15

Commissioning21

Servicing Instructions.....22

Fault Finding..... 22

How to Replace Parts 24

Basic Spare Parts List..... 28

Service Records34



To receive your Extended Warranty your Gazco appliance must have been purchased from our Expert Retailer Network and registered within one month of purchase or installation. Please note that all warranties are effective from the date of purchase. Any Gazco product purchased outside of our Extended Retailer Network, or not registered within the stated time will carry a standard 12 month warranty.

It is a condition of the Extended Warranty that the installation complies with the relevant Building Regulations and is carried out by a suitably trained and qualified individual (GasSafe in the UK or equivalent in other countries) with the certificate of installation and the Commissioning Report on Page 3 completed and retained by the end user.

Full terms and conditions are detailed in the Warranty Statement on the Gazco website www.gazco.com. In the event of any conflict of information the wording on the website shall prevail.

Important Note: Should any problems be experienced with your product, claims must first be submitted to the Expert Retailer where the appliance was purchased from who will offer immediate assistance or contact Gazco on your behalf.

It is a requirement of the Building Regulations 2010 that the installation of this appliance is notified to the Local Authority. It is the responsibility of the GasSafe registered installer to carry out this notification to the Local Authority via the GasSafe register Competent Persons Scheme in England and Wales (different rules apply in Scotland and Northern Ireland).

When the installation has been notified, GasSafe will send a Building Regulations Compliance Certificate to you containing details of the work completed. Please ensure that the person responsible for the installation of this appliance completes this notification and records it in the Appliance Commissioning Checklist on page 3.

IT IS YOUR RESPONSIBILITY TO COMPLY WITH THE BUILDING REGULATIONS AND BE ABLE TO PRODUCE THIS CERTIFICATE SHOULD IT BE REQUIRED IN THE FUTURE.

Appliance Commissioning Checklist

To assist us in any guarantee claim please complete the following information:-

IMPORTANT NOTICE

Explain the operation of the appliance to the end user, hand the completed instructions to them for safe keeping, as the information will be required when making any guaranteed claims.

FLUE CHECK	PASS	FAIL	
1. Flue Is correct for appliance			
2. Flue flow Test			
3. Spillage Test			
GAS CHECK			
1. Gas soundness & let by test			
2. Standing gas pressure	mb		
3. Appliance working pressure (on High Setting) NB All other gas appliances must be operating on full	mb		
4. Gas rate	m ³ /h		
5. Does Ventilation meet appliance requirements			
6. Have controls been upgraded (Upgradeable models only)	8455 Standard	YES	NO
	8456 Programmable Thermostatic and Timer	YES	NO
SAFETY CHECK			
1. Glass checked to ensure no damage, scratches, scores or cracks.			
2. Door secured correctly and all nuts replaced			
BUILDING CONTROL NOTIFICATION	YES	NO	
1. Installer notified GasSafe/Local Authority of installation via Competent Persons Scheme?			

RETAILER AND INSTALLER INFORMATION

Retailer	Installation Company
.....
.....
Contact No.	Engineer
Date of Purchase	Contact No.
Model No.	GasSafe Reg No.
Serial No.	Date of Installation
Gas Type	

User Instructions

Welcome

Congratulations on purchasing your Marlborough or Stockton stove, if installed correctly Gazco hope it will give you many years of warmth and pleasure for which it was designed.

The purpose of this manual is to familiarise you with your appliance, and give guidelines for its installation, operation and maintenance. If, after reading, you need further information, please do not hesitate to contact your Gazco retailer.

WARNING



In the event of a gas escape or if you can smell gas, please take the following steps:

- **Immediately turn off the gas supply at the meter/emergency control valve**
- **Extinguish all sources of ignition**
- **Do not smoke**
- **Do not operate any electrical light or power switches (On or Off)**
- **Ventilate the building(s) by opening doors and windows**
- **Ensure access to the premises can be made**

Please report the incident immediately to the National Gas Emergency Service Call Centre on 0800 111 999 (England, Scotland and Wales) , 0800 002 001 (N. Ireland) or in the case of LPG, the gas supplier whose details can be found on the bulk storage vessel or cylinder.

The gas supply must not be used until remedial action has been taken to correct the defect and the installation has been recommissioned by a competent person.

1. General

- 1.1 Installation and servicing must only be carried out by a competent person whose name appears on the GasSafe register. To ensure the engineer is registered with GasSafe they should possess an ID Card carrying the following logo:

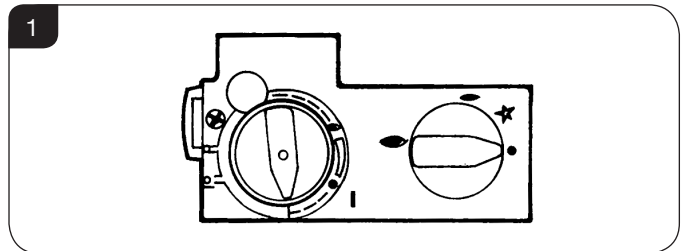


- 1.2 In all correspondence, please quote the appliance type and serial number which can be found on the data badge located at the rear of the appliance or on the Commissioning Checklist on Page 3.

- 1.3 **Do not** place curtains above the appliance: You must have 300mm (1') clearance between the appliance and any curtains at either side.
- 1.4 The manufacturer considers the full outer casing of this appliance to be a working surface and it will become hot whilst in operation. A suitable guard is recommended to protect young children, the aged and the infirm.
- 1.5 No furnishings or other objects should be placed within 1 metre of the front of the appliance.
- 1.6 If a shelf is fitted, a distance of 225mm above the appliance is required.
- 1.7 Do not attempt to burn rubbish in this appliance.
- 1.8 This appliance must only be operated with the door secured firmly in position. If any cracks appear in the glass the appliance must not be used until the glass panel is replaced.
- 1.9 This product is guaranteed for 5 years from the date of installation, as set out in the terms and conditions of sale between Gazco and your local Gazco retailer. Please consult with your local Gazco retailer if you have any questions. In all correspondence always quote the Model Number and Serial Number.

2. Operating the Appliance

- 2.1 The control valve is at the foot on the right-hand side of the appliance. It has two controls, see Diagram 1:
1. The right-hand knob controls the pilot ignition.
 2. The left-hand knob controls the main burner.



- 2.2 Refer to separate instructions if your appliance is upgraded to include battery remote control. The instructions below apply whether or not you have the remote upgrade.

Lighting the Pilot

- 2.3 To start the left-hand and right-hand control knobs must both point to off (●):
- 2.4 Press in the right-hand control knob and rotate anti-clockwise until a click is heard. Continue to press in. The knob points to the pilot (→).

The pilot is lit.

User Instructions

- 2.5 Keep the knob depressed for 10 seconds before releasing. The pilot remains lit.

Repeat the above steps if the pilot does not stay lit.

NOTE: If the pilot goes out, the Interlock system prevents you lighting again for a short period.

- 2.6 If, after repeating the above steps the pilot does not light, contact your Retailer or Installer.
- 2.7 Turn the right-hand knob to the left to main burner setting (☞).

Adjusting the Flame height

- 2.8 You can now adjust the flame height and temperature using the left-hand control knob.
- 2.9 Turn the left-hand knob anti-clockwise to increase the flame height.
- 2.10 Turn clockwise to decrease the height.

i **IMPORTANT: YELLOW FLAMES TYPICALLY APPEAR WHEN THE APPLIANCE HAS REACHED NORMAL OPERATING TEMPERATURE. THIS CAN TAKE UP TO 30 MINUTES.**

! **WARNING: IF THE APPLIANCE FAILS TO LIGHT OR BECOMES EXTINGUISHED IN USE, WAIT 3 MINUTES BEFORE ATTEMPTING TO RELIGHT.**

3. Turning the Appliance Off

- 3.1 To turn the stove off, locate the control valve, turn the left-hand control knob until it points to off (●). The main burner goes out leaving the pilot burning.
- 3.2 To turn the pilot off, locate the control valve, turn the right-hand control knob until it points to off (●), the pilot goes out.

4. Upgrading the Appliance

- 4.1 The appliance is fitted with a control valve that can easily be upgraded to battery powered remote control. There are two versions of this control which can be obtained through your local Gazco retailer. There is no requirement for this upgrade to be carried out by an approved GasSafe engineer. However Gazco recommend that this task is undertaken by a suitably competent person.
- 4.2 This upgrade can be fitted before or after installation but if side clearances are limited then it will be easier to upgrade the appliance before installation. Full instructions are included with the kit.

Standard Remote Control (PART NUMBER 8455)

- 4.3 This remote control can control the gas appliance after the pilot has been lit. It can turn the main burner on and regulate it from low through to high and back again. It can turn the main burner off leaving the pilot burning.

Thermostatic and Timer Remote Control (PART NUMBER 8456)

- 4.4 This remote control can control the gas appliance after the pilot has been lit.

MANUAL MODE

Can be used to turn the main burner on and manually regulate it from low through to high and back again. It can also be used to turn the main burner off leaving the pilot burning.

AUTO MODE

Will automatically regulate the room to a pre-set temperature.

TIMER MODE

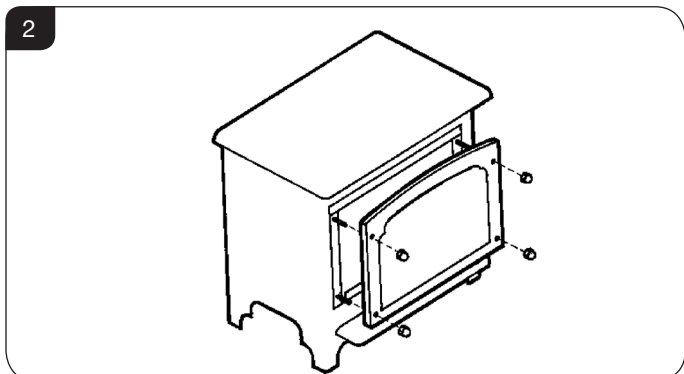
Will turn the appliance on and off according to a pre-set programme and automatically regulate the room temperature during the two on periods.

5. Cleaning the Appliance

! **WARNING: NEVER CLEAN THE APPLIANCE WHILE IT'S HOT. THE APPLIANCE STAYS HOT FOR A LONG TIME AFTER SHUTDOWN.**

IMPORTANT: THE OUTER PANNELLING OF THE APPLIANCE IS MADE FROM CAST IRON. USE CAUTION WHEN INSTALLING, REMOVING AND STORING AS THE COMPONENTS ARE HEAVY AND SHOULD BE HANDLED CAREFULLY.

- 5.1 Remove the 4 dome nuts retaining the door, see Diagram 2. Place carefully to one side.



User Instructions

- 5.2 Carefully remove the ceramic fuel bed components and set aside. Protect the floor coverings and follow the advice given in Section 6.
- 5.3 The coals should not require cleaning. Do not use a vacuum cleaner or brush to clean the coals, any large pieces of debris can be removed by hand.
- 5.4 Ensure any debris is removed from the burner ports.
- 5.5 Replace the ceramics, see Section 7.
- 5.6 Ensure that the rope seal on the back of the door is intact, locate the door on the 4 studs and slide back to the firebox. Secure in place using the 4 black nuts. Do not over tighten the nuts, see Diagram 2.

NEVER OPERATE THE APPLIANCE WHEN THE DOOR IS REMOVED, OR THE GLASS IS BROKEN.

- 5.7 Replace ALL of the securing nuts ensuring that a nut is present on all fixing studs.



UNDER NO CIRCUMSTANCES SHOULD THE APPLIANCE BE USED IF ANY OF THE DOOR RETAINING NUTS ARE LOOSE OR MISSING.

- 5.8 Use a damp cloth to clean the outer casing of the appliance.

6. Arrangement of Fuel Bed

Advice on handling and disposal of fire ceramics



The fuel effect and side panels in this appliance are made from Refractory Ceramic Fibre (RCF), a material which is commonly used for this application.

Protective clothing is not required when handling these articles, but we recommend you follow normal hygiene rules of not smoking, eating or drinking in the work area and always wash your hands before eating or drinking.

To ensure that the release of RCF fibres are kept to a minimum, during installation and servicing a HEPA filtered vacuum is recommended to remove any dust accumulated in and around the appliance before and after working on it. When servicing the appliance it is recommended that the replaced items are not broken up, but are sealed within heavy duty polythene bags and labelled as RCF waste.

RCF waste is classed as stable, non-reactive hazardous waste and may be disposed of at a licensed landfill site.

Excessive exposure to these materials may cause temporary irritation to eyes, skin and respiratory tract; wash hands thoroughly after handling the material.

7. Coal Layout

- 7.1 Remove the cast iron door, see Section 5.



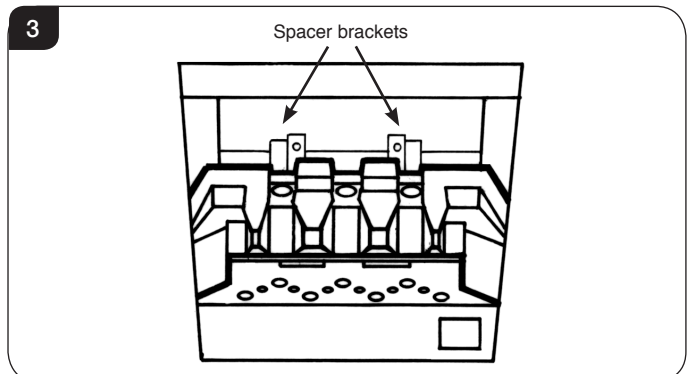
WARNING: NEVER CLEAN THE APPLIANCE WHILE IT'S HOT. THE APPLIANCE STAYS HOT FOR A LONG TIME AFTER SHUTDOWN.

IMPORTANT: THE OUTER PANNELLING AND DOOR OF THE APPLIANCE IS MADE FROM CAST IRON OR STEEL. TAKE CARE WHEN INSTALLING, REMOVING AND STORING TO AVOID DAMAGING THE OUTER CASING, HEARTH OR DOOR.

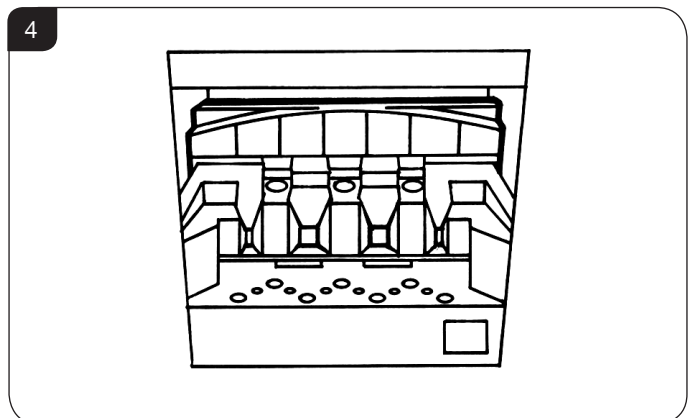
- 7.2 The loose coals should be arranged as specified in the following steps. Care should be taken to ensure that there is sufficient space between the coals to allow flames to pass through.

Small Marlborough and Stockton

- 7.3 Place the flame baffle onto the burner and push up against the rear tray lip, see Diagram 3.

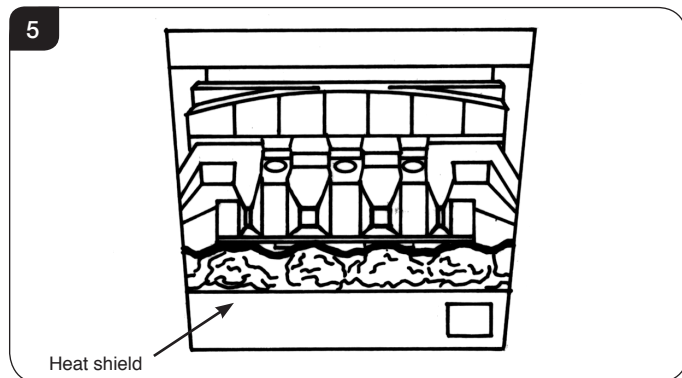


- 7.4 Locate the rear panel against the spacer brackets and slide down so that it locates on the ledge of the flame baffle, see Diagram 4.

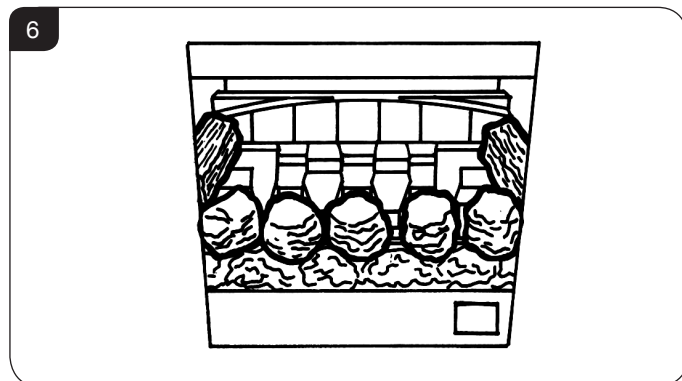


User Instructions

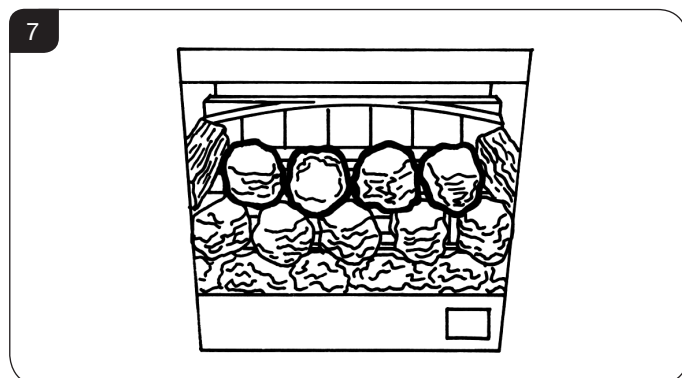
- 7.5 Locate the front coal between the heat shield and flame baffle so that its ends sit flat against the burner skin, see Diagram 5.



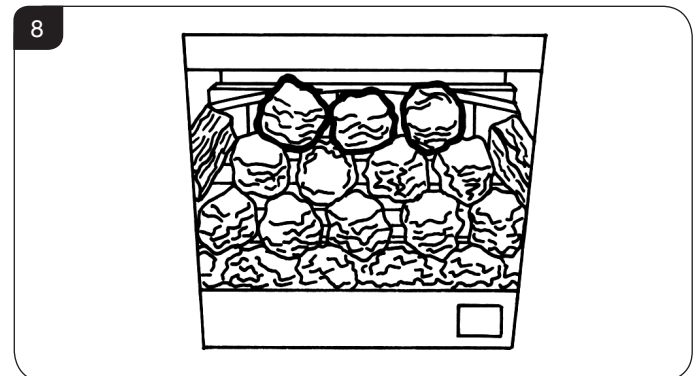
- 7.6 Place five of the loose round coals on the front coal so that they lean against the flame baffle, in between the fingers. Place the two rectangular coals behind the round coals, one at each side, see Diagram 6.



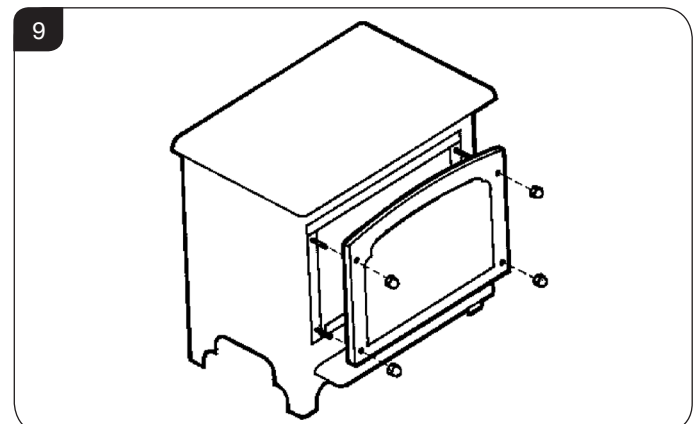
- 7.7 Place four of the loose round coals behind the first row so that they sit on the fingers, the two outer coals should touch the rectangular coals, see Diagram 7.



- 7.8 Place the remaining three round coals behind the centre row so that they touch the back panel, see Diagram 8.



- 7.9 Ensure that the rope seal on the back of the door is intact, locate the door on the four studs and slide back to the firebox. Secure in place using the four dome nuts and the tool supplied, do not over tighten the nuts, see Diagram 9.



NEVER OPERATE THE STOVE WHEN THE DOOR IS REMOVED OR WHEN THE GLASS IS BROKEN.

- 7.10 Replace ALL of the securing nuts ensuring that a nut is present on all fixing studs.

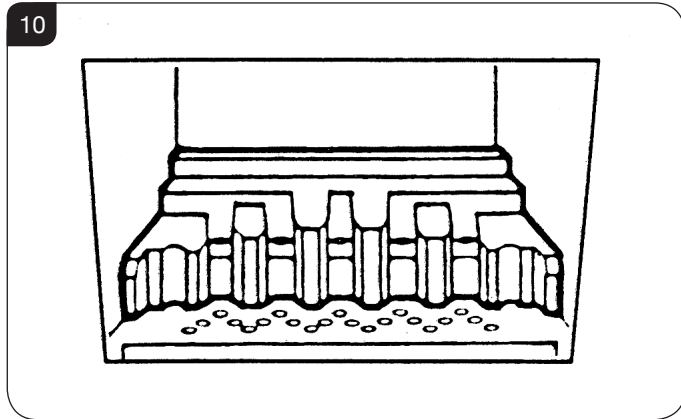


UNDER NO CIRCUMSTANCES SHOULD THE APPLIANCE BE USED IF ANY OF THE DOOR RETAINING NUTS ARE LOOSE OR MISSING.

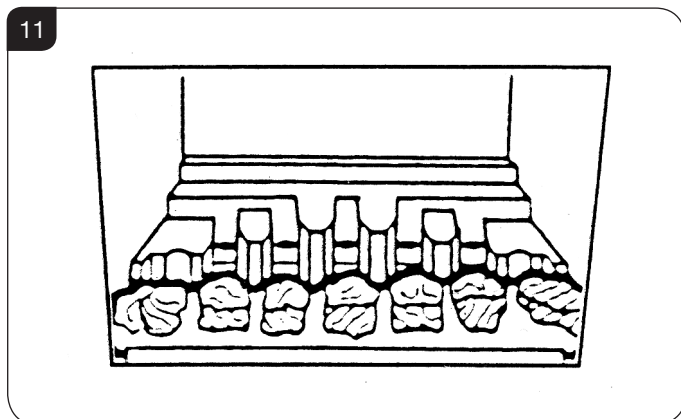
User Instructions

Medium Marlborough and Stockton

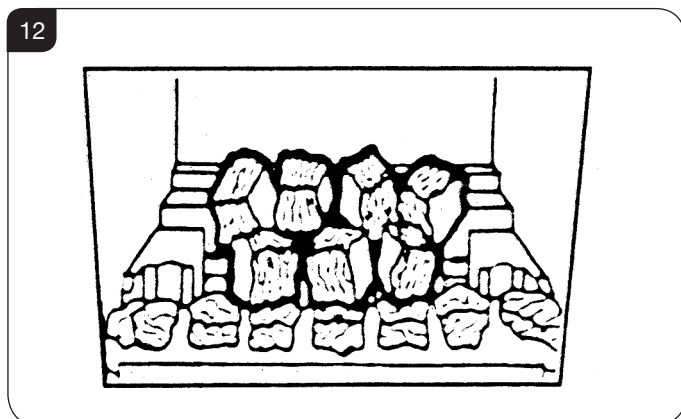
7.11 Place the flame baffle onto the shelf at the rear of the tray and push up against the rear ledge, see Diagram 10.



7.12 Locate the front coal moulding in front of the flame baffle ensuring that the end legs sit flat against the burner skin, see Diagram 11.

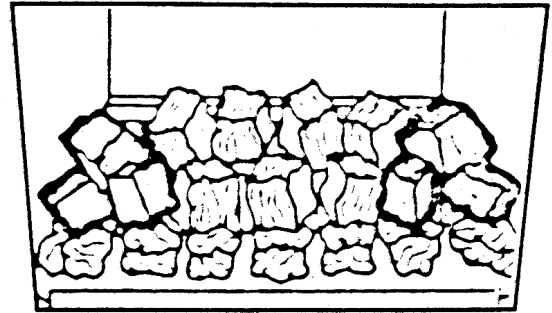


7.13 Place three large coals on the front coal so that they lean against the flame baffle, and the four large coals on the flame baffle so that they sit on the fingers, see Diagram 12.



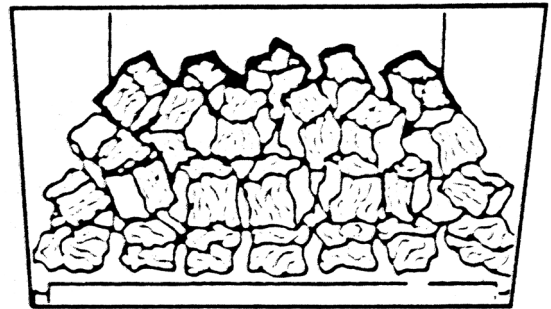
7.14 Place two small coals at each end of the front coal so that they lean against the flame baffle, and a further two large coals on the flame baffle, one at each end, see Diagram 13.

13



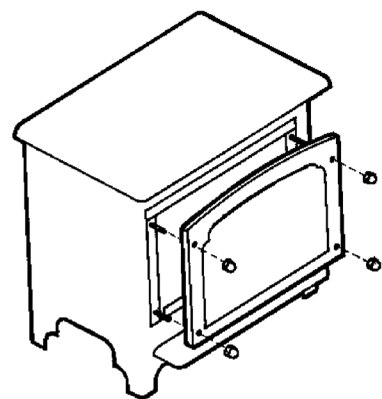
7.15 Place five small coals along the rear of the flame baffle, resting against the rear ledge, see Diagram 14.

14



7.16 Ensure that the rope seal on the back of the door is intact, locate the door on the four studs and slide back to the firebox. Secure in place using the four dome nuts and the tool supplied, do not over tighten the nuts, see diagram 15.

15



NEVER OPERATE THE APPLIANCE WHEN THE DOOR IS REMOVED, OR THE GLASS IS BROKEN.

7.17 Replace ALL of the securing nuts ensuring that a nut is present on all fixing studs.

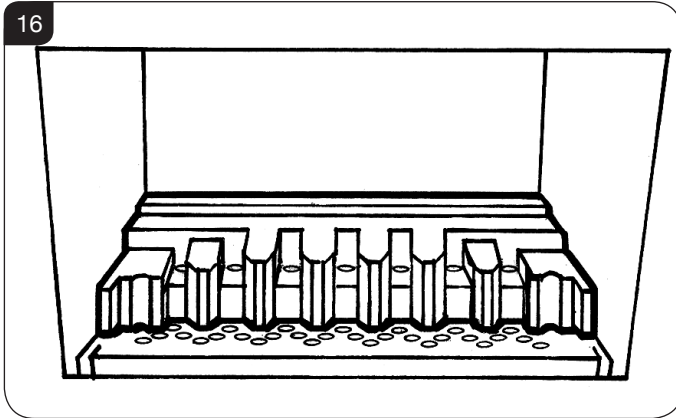


UNDER NO CIRCUMSTANCES SHOULD THE APPLIANCE BE USED IF ANY OF THE DOOR RETAINING NUTS ARE LOOSE OR MISSING.

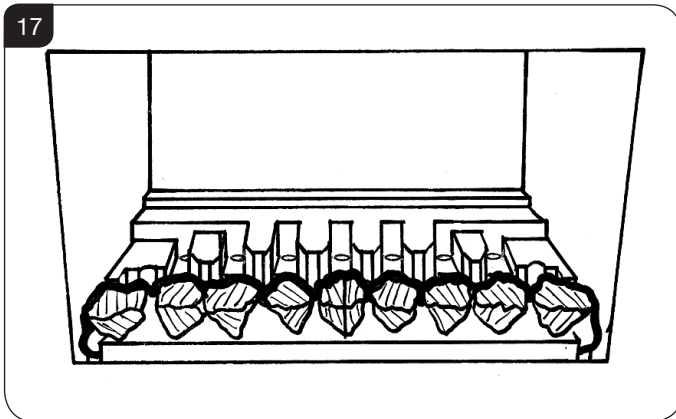
User Instructions

Large Marlborough

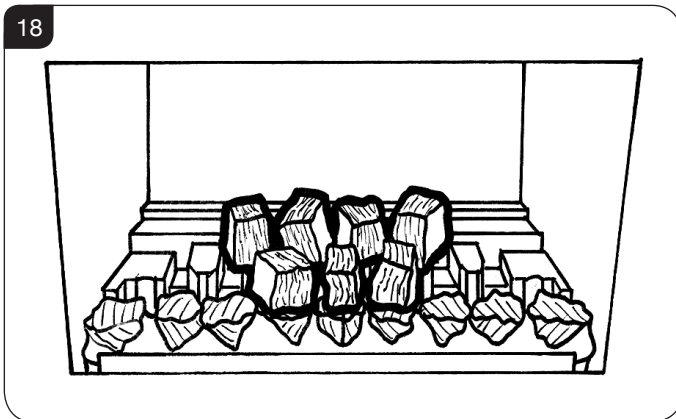
- 7.18 Place the flame baffle onto the shelf at the rear of the tray and push up against the rear ledge, see Diagram 16.



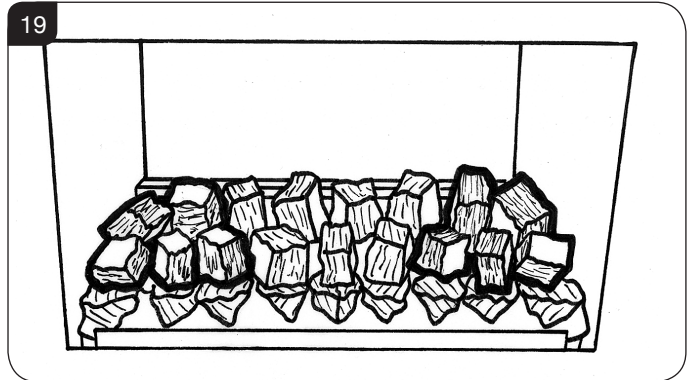
- 7.19 Locate the front coal moulding in front of the flame baffle ensuring that the end legs sit flat against the burner skin, see Diagram 17.



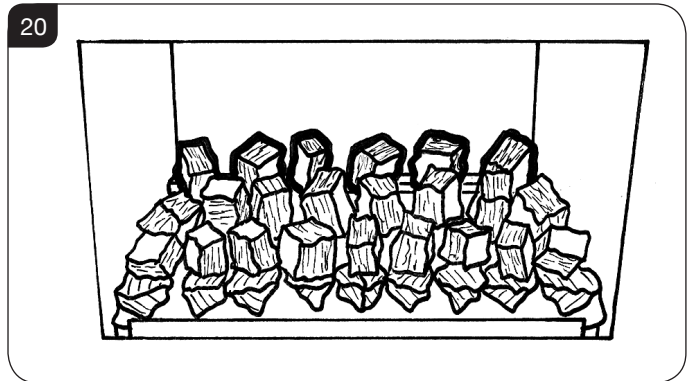
- 7.20 Place three large coals on the front coal so that they lean against the flame baffle and four large coals on the flame baffle so that they sit on the fingers, see Diagram 18.



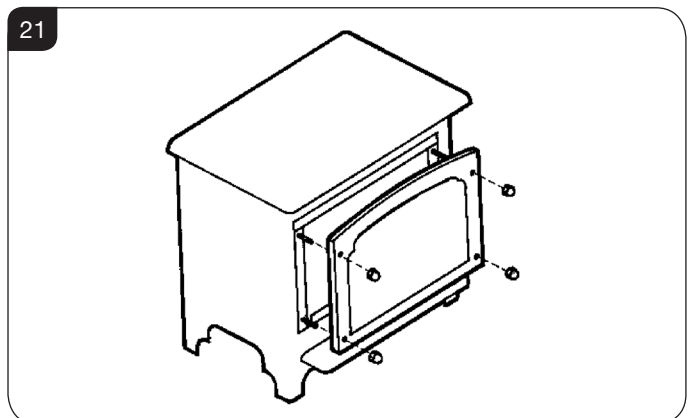
- 7.21 Place three small coals at each end of the front coal so that they lean against the flame baffle and a further four large coals on the flame baffle, two at each end, see Diagram 19.



- 7.22 Place six small coals along the rear of the flame baffle, resting against the rear ledge, see diagram 20.
NOTE: ENSURE THAT THE COALS ARE POSITIONED, AS DETAILED ABOVE. ONLY USE THE CORRECT AMOUNT OF COALS, AS SPECIFIED IN THE DIAGRAMS.



- 7.23 Ensure that the rope seal on the back of the door is intact. Locate the door on the four studs and slide back to the firebox. Secure in place using the four dome nuts and the tool supplied, do not over tighten the nuts, see diagram 21.



NEVER OPERATE THE APPLIANCE WHEN THE DOOR IS REMOVED, OR THE GLASS IS BROKEN.

- 7.24 Replace ALL of the securing nuts ensuring that a nut is present on all fixing studs.



UNDER NO CIRCUMSTANCES SHOULD THE APPLIANCE BE USED IF ANY OF THE DOOR RETAINING NUTS ARE LOOSE OR MISSING.

User Instructions

8. Gazco Flue Sure System

- 8.1 The appliance is fitted with the Gazco Flue Sure System, which will act to cut off the gas supply to the burners in the event of incorrect operation of the flue. If the system acts to cut off the gas supply, this indicates that there is insufficient flue pull. If this occurs a minimum of 10 minutes should be allowed before trying to relight. Continued operation of this safety device means there may be a serious problem with the flue system. A qualified GasSafe engineer should inspect this.

DO NOT USE THE APPLIANCE UNTIL AN ENGINEER SAYS IT IS SAFE TO DO SO.

9. Flame Failure Device

- 9.1 This is a safety feature incorporated on this appliance which automatically switches off the gas supply if the pilot goes out and fails to heat the thermocouple.

IF THIS OCCURS DO NOT ATTEMPT TO RELIGHT THE APPLIANCE FOR 3 MINUTES.

10. Running In

- 10.1 During initial use of a new GAZCO appliance a strong odour will be encountered as various surface coatings become hot for the first time. Although these odours are harmless it is recommended that the appliance is operated on maximum for 4 to 8 hours in order to fully burn off these coatings. After this period the odours should then disappear.

If the odours persists, please contact your installer for advice.

- 10.2 During the first few hours of burning there may be discolouration of the flames. This will also disappear after a short period of use.

11. Servicing

- 11.1 The appliance must be serviced every 12 months by a qualified GasSafe Engineer. In all correspondence always quote the Model number and the Serial number which may be found on the Commissioning Checklist (Page 3).

12. Ventilation

- 12.1 Any purpose provided ventilation should be checked periodically to ensure that it is free from obstruction.

13. Installation Details

- 13.1 Your installer should have completed the commissioning sheet at the front of this book. This records the essential installation details of the appliance. In all correspondence always quote the Model number and Serial number.

14. Hot Surfaces

- 14.1 Parts of this appliance become hot during normal use.
- 14.2 Regard all parts of the appliance as a working surface.
- 14.3 Provide a suitable fire guard to protect young children and the infirm.

Installation Instructions

Technical Specification

Covering the following models:

Model	Small		Medium		Large	
	Nat Gas	LPG	Nat Gas	LPG	Nat Gas	LPG
Marlborough	8560	P8560	8564	P8564	8568	P8568
Stockton	8573	P8573	8574	P8574	-	-

Model:	Gas CAT.	Gas Type	Working Pressure	Aeration	Injector	Gas Rate m ³ /h	Input kW (Gross)		Country
							High	Low	
Small	I _{2H}	Natural (G20)	20 mbar	7 mm Ø	260	0.433	4.55	2.5	GB,IE
	I ₃₊	Propane (G31)	37 mbar	13 mm Ø	120	0.173	4.60	2.5	GB,IE
Butane (G30)		29 mbar	0.131						
Medium	I _{2H}	Natural (G20)	20 mbar	11 mm Ø	375	0.629	6.60	3.25	GB,IE
	I ₃₊	Propane (G31)	37 mbar	2 x 15.5mm Ø	170	0.237	6.30	3.25	GB,IE
Butane (G30)		29 mbar	0.18						
Large	I _{2H}	Natural (G20)	20 mbar	13 mm Ø	560	0.848	8.90	4.0	GB,IE
	I ₃₊	Propane (G31)	37 mbar	2 x 15.5mm Ø 1 x 13mm Ø	240	0.35	9.30	4.0	GB,IE
Butane (G30)		29 mbar	0.266						
Efficiency Class 2 - 78% / NOx Class 5									
Flue Outlet Size 127 mm (5") ø									
Gas Inlet Connection Size 8 mm ø									
Minimum flue specification T260/N2/O/D/1									
Maximum flue temperature 220°C									

i The net efficiency of this appliance has been measured as specified in EN613:2001 and the result after conversion to gross using the appropriate factor from Table E4 of SAP 2009 is 72%. The test data has been certified by Kiwa Nederland BV. The gross efficiency value may be used in the UK Government's Standard Assessment Procedure (SAP) for energy rating of dwellings.

This appliance has been certified for use in countries other than those stated. To install this appliance in these countries, it is essential to obtain the translated instructions and in some cases the appliance will require modification. Contact Gazco for further information.

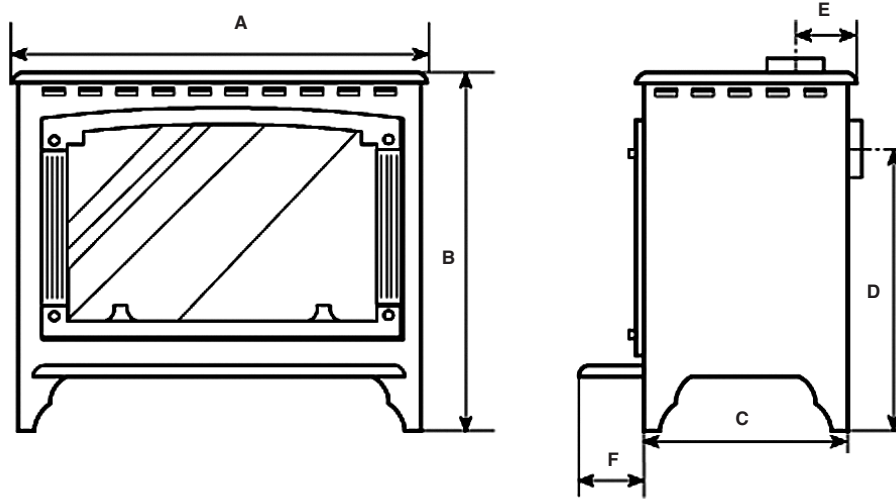
PACKING CHECKLIST

Qty Description	Fixing Kit containing:-
1 x Appliance 1 x Flue Blanking plate 1 x Flue In Fill Plate 1 x Coal Set* 1 x Flame Baffle* 1 x Front Coal*	1 x Instruction manual 2 X Wood screw 2 x Rawplug 1 x Box Spanner
*Packed in appliance	

Installation Instructions

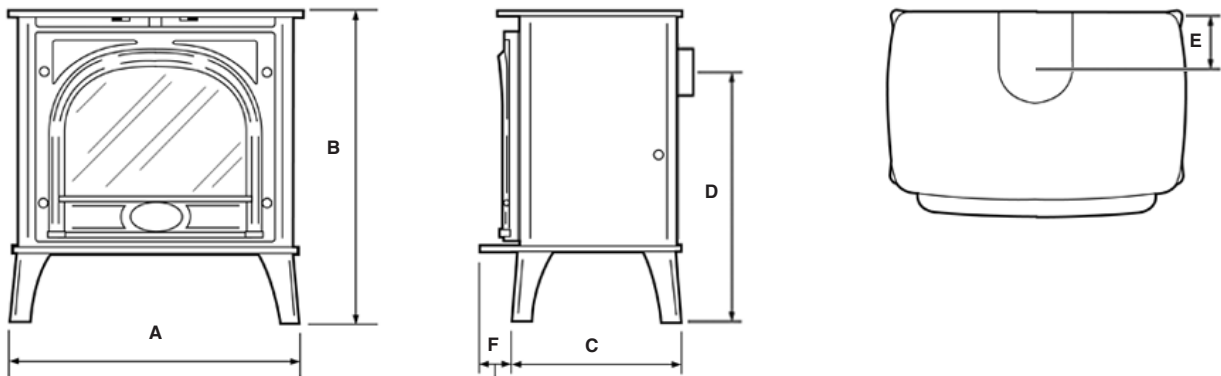
Technical Specification

Marlborough



Model	A	B	C	D	E	F
Small	410	533	280	352	111	80
Medium	590	582	330	401	101	80
Large	730	628	340	446	101	80

Stockton



Model	A	B	C	D	E	F
Small	422	525	290	346	110	50
Medium	579	618	345	425	102	66

Installation Instructions

Site Requirements

1. Flue & Chimney Requirements

- 1.1 The chimney or flue system must comply with the rules in force, and must be a minimum of 127mm in diameter. (5").
- 1.2 The minimum flue height for the appliance must be 3 metres (10ft). Any horizontal flue run from the rear outlet must not exceed 100mm from the back of the appliance.
- 1.3 The chimney or flue must be free from any obstruction. Any damper plates must be removed or secured in the fully open position, and no restrictor plates fitted.
- 1.4 The chimney must be swept prior to the installation, but it need not be swept if it can be seen the chimney is clean and unobstructed throughout its entire length.
- 1.5 **Note: If it is intended to fit the appliance into an existing brick- built chimney without a closure plate*, a 5" (127mm) liner must be used.**
Larger lined flues can work, but in some instances could cause cold start flue problems resulting in nuisance shutdown. Lined flues above 7" (175mm) are not recommended.
- 1.6 The European chimney standards now describe chimneys and flues by their temperature, pressure and resistance to corrosion, condensation and fire. To identify the correct flue system, the minimum flue specification is shown in the Technical Specification. Existing chimneys are not covered by this system.
- 1.7 ***Closure Plate Installation**
Small and Medium appliances can be installed into a Standard, fireplace opening with the optional closure plate and spigot extension made for the appliance.
Note the appliance and plate will require removing, when carrying out the annual service.
The small Marlborough appliance is also approved with a Closure plate for installation into pre-cast letterbox flues conforming to BS 1289:1986. with a minimum flue cross sectional area of 16500mm² and a minimum dimension of 90mm.

2. Gas Supply

THIS APPLIANCE IS INTENDED FOR USE ON A GAS INSTALLATION WITH A GOVERNED METER.

- 2.1 Before installation, ensure that the local distribution conditions (identification of the type of gas and pressure) and the adjustment of the appliance are compatible.
- 2.2 Ensure the gas supply delivers the required amount of gas and is in accordance with the rules in force.
- 2.3 Soft copper tubing and soft soldered joints can be used but must not be closer than 50mm to the base of the tray.
- 2.4 A means of isolating the gas supply to the appliance must be provided independent of any appliance control.
- 2.5 All supply gas pipes must be purged of any debris that may have entered prior to connection to the appliance.
- 2.6 The gas supply must be installed in a way that does not restrict the removal of the appliance for servicing and inspection.

3. Ventilation

IMPORTANT: Ensure any national ventilation requirements are taken into account during installation of the appliance.

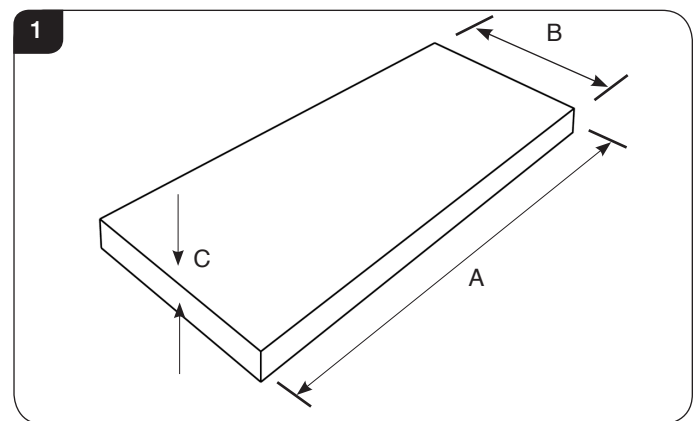
- 3.1 The large appliance has a rated output in excess of 7Kw and requires a minimum of 11cm² permanent effective free air. This is in addition to any window that opens, and although it must communicate with the outside air whenever possible, it can communicate with an adjacent room providing such space has a similar opening to the outside.
- 3.2 The small and medium appliances have a rated output below 7Kw and do not normally require any additional ventilation.

If however, spillage is detected when commissioning the appliance, there may be insufficient natural ventilation and additional ventilation may be required.

FOR THE REPUBLIC OF IRELAND REFER TO THE RULES IN FORCE FOR VENTILATION REQUIREMENTS.

4. Appliance Location

- 4.1 Building Regulations state this appliance must stand on a non-combustible hearth that is at least 12mm thick and projects 50mm minimum from the base of the appliance in all directions, however Gazco recommend the hearth extends to the following dimensions, see Diagram 1.



Marlborough

Dimensions	Small	Medium	Large
A	710mm	890mm	1030mm
B	380mm	430mm	440mm
C	12mm	12mm	12mm

Stockton

Dimensions	Small	Medium
A	722mm	879mm
B	390mm	445mm
C	12mm	12mm

Installation Instructions

Site Requirements

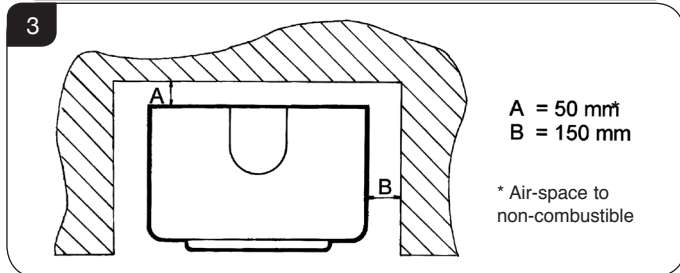
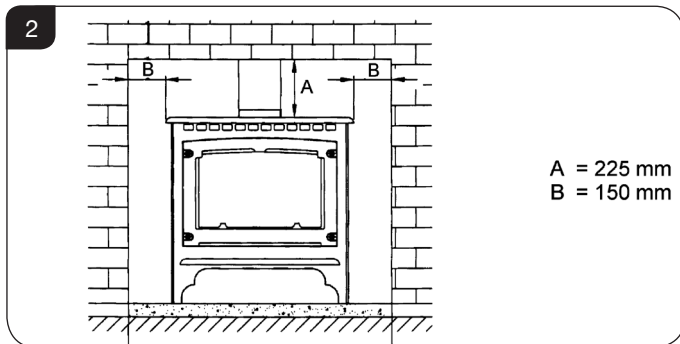
4.2 Do not install in a room that contains a bath or shower.

MINIMUM CLEARANCE

4.3 The appliance is not suitable for installation against a combustible wall. All combustible materials must be removed from behind the appliance.

4.4 Ensure that all minimum clearances to combustible materials are complied with, see Diagrams 2 and 3.

The specified clearances provide the minimum distance to combustible materials. If the appliance is intended to be installed into a non-combustible opening the clearance to the **sides and above** the appliance can be reduced. However, it is recommended that the specified clearances are maintained irrespective of the materials used in the construction of the opening to allow adequate air flow and access to controls. **The clearance at the rear of the appliance must always be a minimum of 50mm.**



4.5 In a non-combustible recess be careful to allow enough clearance at the sides and rear of the appliance to perform spillage tests and reach the controls.

Installation Instructions

1. Safety Precautions

- 1.1 For your own and other's safety, you must install this appliance according to local and national codes of practice. Failure to install the appliance correctly could lead to prosecution. **Read these instructions before installing and using this appliance.**
- 1.2 These instructions must be left intact with the user.
- 1.3 Do not attempt to burn rubbish on this appliance.
- 1.4 Keep all plastic bags away from young children.
- 1.5 Do not place any object on or near to the appliance and allow adequate clearance above the appliance.

IF THE APPLIANCE IS EXTINGUISHED OR GOES OUT IN USE, WAIT 3 MINUTES BEFORE ATTEMPTING TO RELIGHT THE APPLIANCE.

- 1.6 The appliance is fitted with the Gazco Flue Sure System, which will act to cut off the gas supply to the burners in the event of incorrect operation of the flue. If the system acts to cut off the gas supply, this indicates that there is insufficient flue pull. If this occurs a minimum of 10 minutes should be allowed before trying to relight. Continued operation of this safety device means there may be a serious problem with the flue system. A qualified GasSafe engineer should inspect this.
- 1.7 Do not alter or tamper with the Flue Sure System. Use only genuine Gazco replacement parts when servicing the system - refer to the Servicing **Section, Replacing Parts.**

DO NOT USE THE APPLIANCE UNTIL AN ENGINEER SAYS IT IS SAFE TO DO SO.



IMPORTANT: REFER TO DATA BADGE AND TECHNICAL SPECIFICATION AT THE FRONT OF THE MANUAL TO ENSURE THE APPLIANCE IS CORRECTLY ADJUSTED FOR THE GAS TYPE AND CATEGORY APPLICABLE IN THE COUNTRY OF USE.

FOR DETAILS OF CHANGING BETWEEN GAS TYPES REFER TO SERVICING, SECTION 12, REPLACING PARTS.

Unpacking

- 1.8 Remove the appliance from its packaging, and check that it is complete and undamaged.

2. Upgrading the Appliance

- 2.1 The appliance is fitted with a control valve that can easily be upgraded to battery powered remote control. There are two versions of this control which can be obtained through your local Gazco retailer. There is no requirement for this upgrade to be carried out by an approved GasSafe engineer. However Gazco recommend that this task is undertaken by a suitably competent person.
- 2.2 This upgrade can be fitted before or after installation but if side clearances are limited then it will be easier to upgrade the appliance before installation. Full instructions are included with the kit.

Standard Remote Control (PART NUMBER 8455)

- 2.3 This remote control can control the gas appliance after the pilot has been lit. It can turn the main burner on and regulate it from low through to high and back again. It can turn the main burner off leaving the pilot burning.

Thermostatic and Timer Remote Control (PART NUMBER 8456)

- 2.4 This remote control can control the gas appliance after the pilot has been lit.

MANUAL MODE

Can be used to turn the main burner on and manually regulate it from low through to high and back again. It can also be used to turn the main burner off leaving the pilot burning.

AUTO MODE

Will automatically regulate the room to a pre-set temperature.

TIMER MODE

Will turn the appliance on and off according to a pre-set programme and automatically regulate the room temperature during the two on periods.

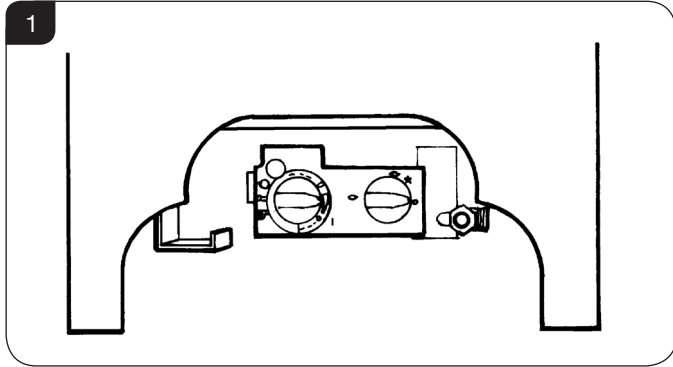
3. Installation of the Appliance

FLUE PIPE INSTALLATION

- 3.1 Decide whether to use top or rear flue exit. The appliance is factory built for rear flue exit but it can be changed to top exit by swapping the flue spigot and blanking plate located on the appliance.
- 3.2 Position the appliance ensuring all appropriate clearances are observed.
- 3.3 Using a pencil, mark the position of the holes in the fixing brackets attached to the inside of the rear legs.
- 3.4 Remove the appliance and drill the holes using a number 12 masonry drill.
- 3.5 Push rawlplugs into the holes and insert the woodscrews until the head is approximately 3mm proud of the hearth.
- 3.6 Place the appliance in position so that the screw head is located in the large part of the slot in the bracket.
- 3.7 Push the appliance back so that the screw heads engage fully into the narrow part of the slot, tighten the screws.
- 3.8 Having run the gas supply to the appliance **PURGE THE SUPPLY PIPE.** This is essential to expel any debris that can block the gas controls.

Installation Instructions

- 3.9 Connect the gas supply to the 8mm-compression elbow at the right-hand rear corner of the appliance. There is a cutout in the right-hand rear leg to enable a straight connection to the rear of the appliance, see Diagram 1.



- 3.10 The flue system may now be connected to the appliance.
3.11 Ensure all joints are sealed with a fire resistant cement and use a self-tapping screw at the flue spigot joint.

4. Gas Soundness Pressure Check

- 4.1 Connect a suitable pressure gauge to the test point located on the inlet fitting and turn the gas supply on. Light the appliance and check all gas joints for possible leaks. Turn the appliance to maximum and check that the supply pressure is as stated on the databadge. Turn the gas off and replace the test point screw, turn the gas on and check the test point for leaks.

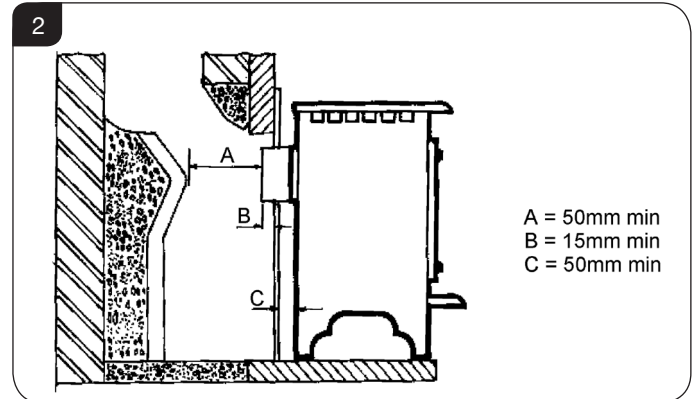
5. Closure Plate Installation



NOTE: The Small & Medium appliances are also suitable for installation onto a fireplace opening. The following method illustrates how this can be achieved with the aid of the optional closure plate and spigot extension. Ensure the fireplace dimensions are as shown in Diagram 2.

- 5.1 Place the closure plate against the fireplace opening and ensure there is sufficient overlap around the perimeter to allow a fume tight seal to be made. Cut straight across the top of the plate if trimming is required.
5.2 Seal the plate to the opening and the hearth with a suitable heat resisting material. Ensure that any relief opening at the bottom of the plate is left unobstructed.

- 5.3 Secure the spigot extension to the engine assembly and seal with heat resisting tape or similar. Position the engine assembly ensuring 50mm rear clearance is maintained, see Diagram 2 and then proceed with the installation as detailed in 3.2 onwards.



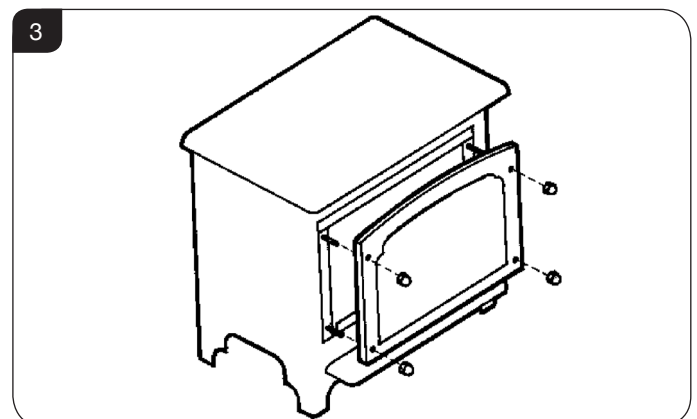
6. Removing the Door



IMPORTANT: THE OUTER PANNELLING AND DOOR OF THE APPLIANCE IS MADE FROM CAST IRON . TAKE CARE WHEN INSTALLING, REMOVING AND STORING TO AVOID DAMAGING THE OUTER CASING, HEARTH OR DOOR.

The ceramic components are located behind the door.

- 6.1 Remove the 4 dome nuts retaining the door, see Diagram 3. Take care when removing the door as it is heavy. Place carefully to one side.



- 6.2 Remove the box and the protective packaging from the components.

Installation Instructions

7. Arrangement of Fuel Bed

Advice on handling and disposal of fire ceramics



The fuel effect and side panels in this appliance are made from Refractory Ceramic Fibre (RCF), a material which is commonly used for this application.

Protective clothing is not required when handling these articles, but we recommend you follow normal hygiene rules of not smoking, eating or drinking in the work area and always wash your hands before eating or drinking.

To ensure that the release of RCF fibres are kept to a minimum, during installation and servicing a HEPA filtered vacuum is recommended to remove any dust accumulated in and around the appliance before and after working on it. When servicing the appliance it is recommended that the replaced items are not broken up, but are sealed within heavy duty polythene bags and labelled as RCF waste.

RCF waste is classed as stable, non-reactive hazardous waste and may be disposed of at a licensed landfill site.

Excessive exposure to these materials may cause temporary irritation to eyes, skin and respiratory tract; wash hands thoroughly after handling the material.

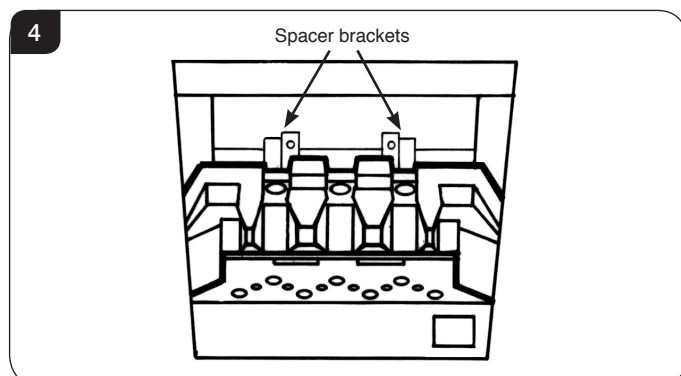
8. Coal Layout

COALS MUST BE POSITIONED ACCORDING TO THE FOLLOWING INSTRUCTIONS TO GIVE THE CORRECT FLAME EFFECT

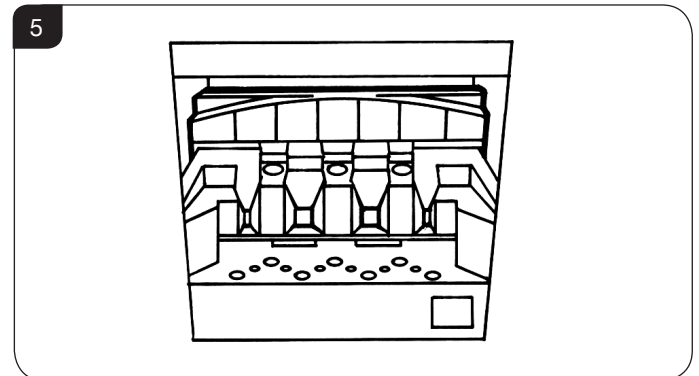
Care should be taken to ensure that there is sufficient space between the coals to allow flames to pass through.

Small Marlborough and Stockton

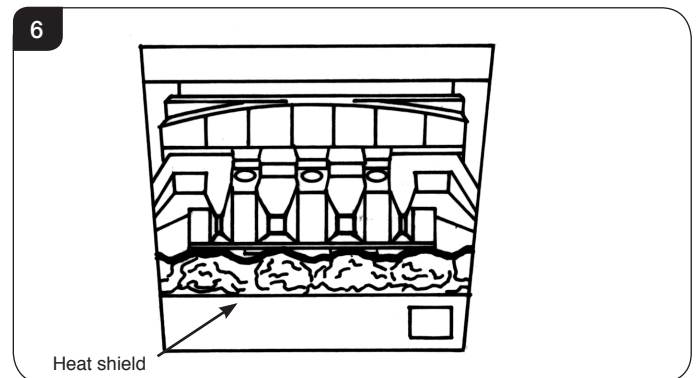
- 8.1 Place the flame baffle onto the burner and push up against the rear tray lip, see Diagram 4.



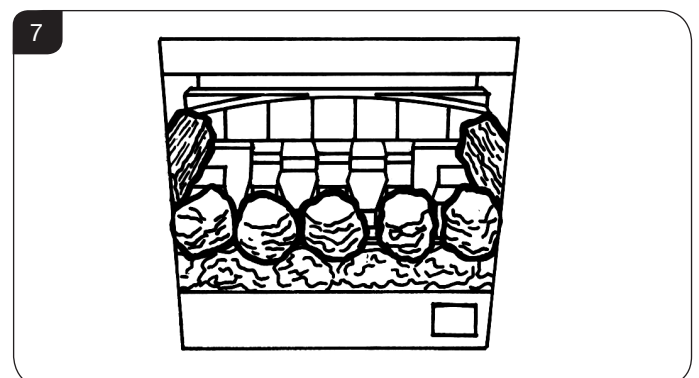
- 8.2 Locate the rear panel against the spacer brackets and slide down so that it locates on the ledge of the flame baffle, see Diagram 5.



- 8.3 Locate the front coal between the heat shield and flame baffle so that its ends sit flat against the burner skin, see Diagram 6.

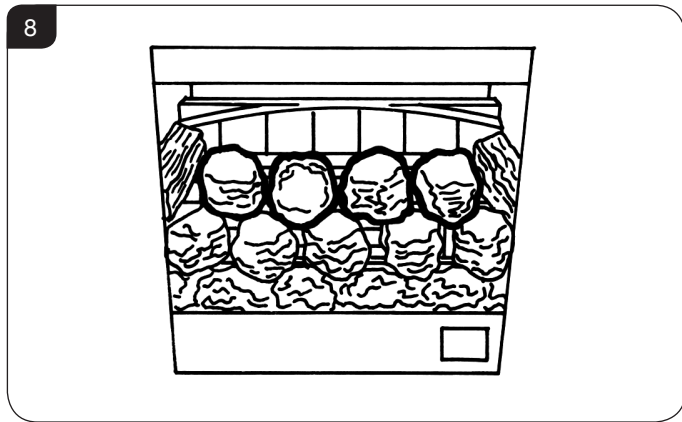


- 8.4 Place five of the loose round coals on the front coal so that they lean against the flame baffle, in between the fingers. Place the two rectangular coals behind the round coals, one at each side, see Diagram 7.

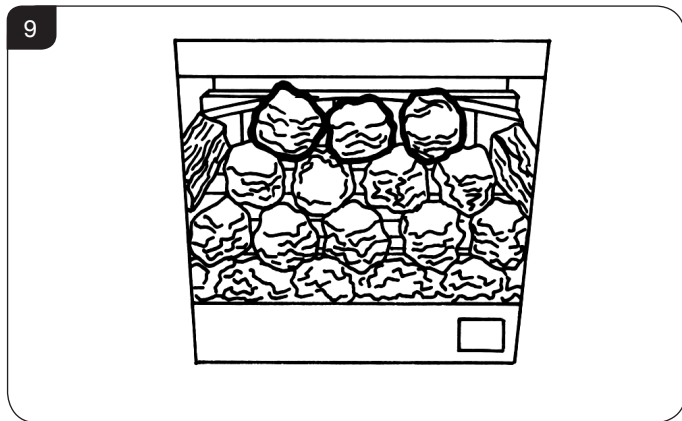


Installation Instructions

- 8.5 Place four of the loose round coals behind the first row so that they sit on the fingers, the two outer coals should touch the rectangular coals, see Diagram 8.



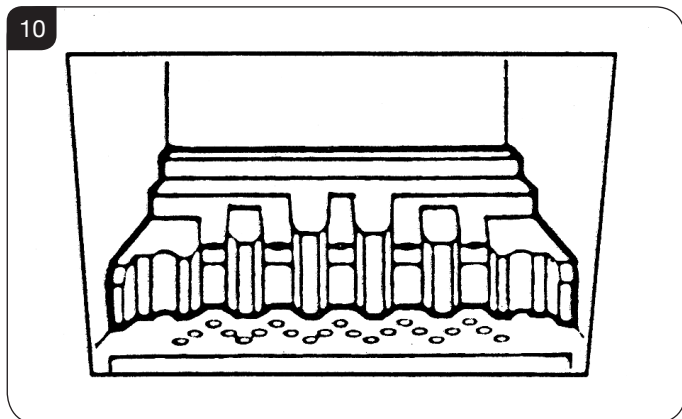
- 8.6 Place the remaining three round coals behind the centre row so that they touch the back panel, see Diagram 9.



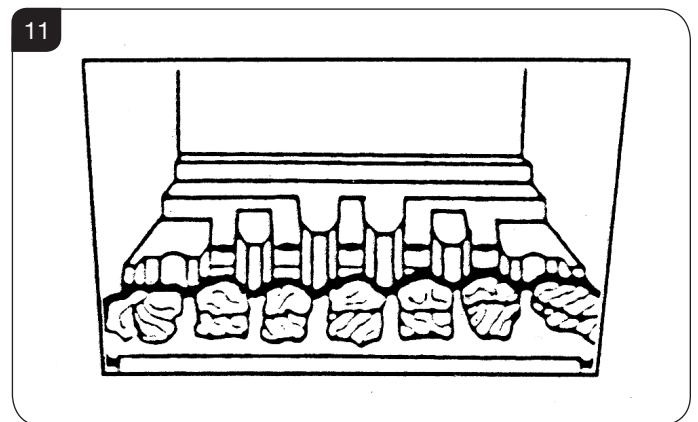
- 8.7 Replace the door, see Section 9.

Medium Marlborough and Stockton

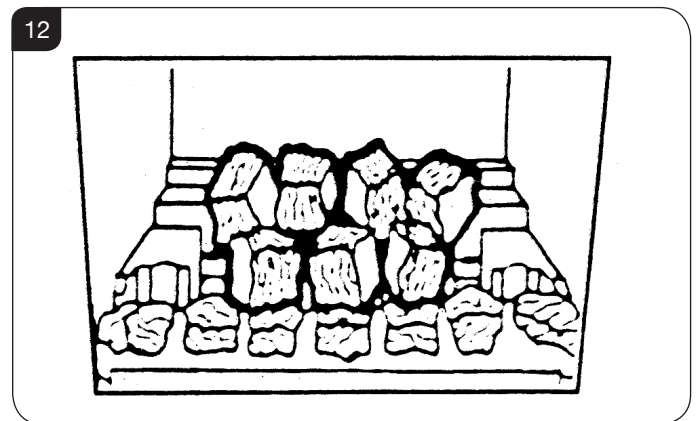
- 8.8 Place the flame baffle onto the shelf at the rear of the tray and push up against the rear ledge, see Diagram 10.



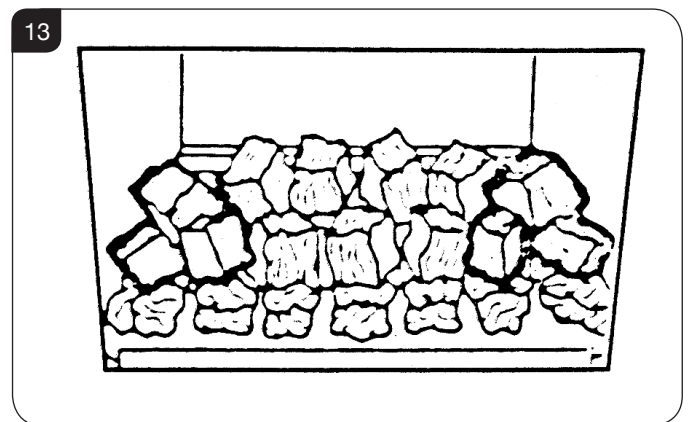
- 8.9 Locate the front coal moulding in front of the flame baffle ensuring that the end legs sit flat against the burner skin, see Diagram 11.



- 8.10 Place three large coals on the front coal so that they lean against the flame baffle, and the four large coals on the flame baffle so that they sit on the fingers, see Diagram 12.

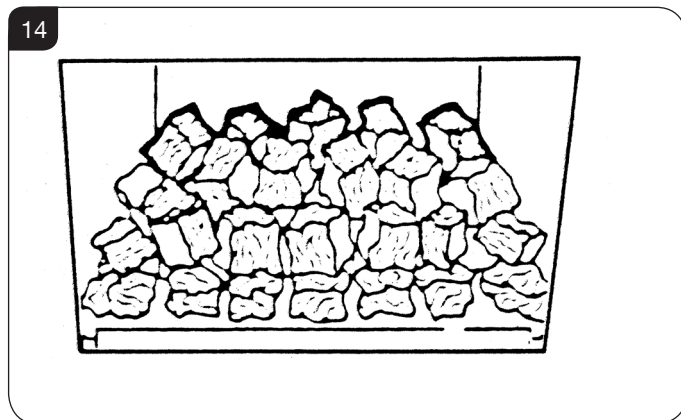


- 8.11 Place two small coals at each end of the front coal so that they lean against the flame baffle, and a further two large coals on the flame baffle, one at each end, see Diagram 13.



Installation Instructions

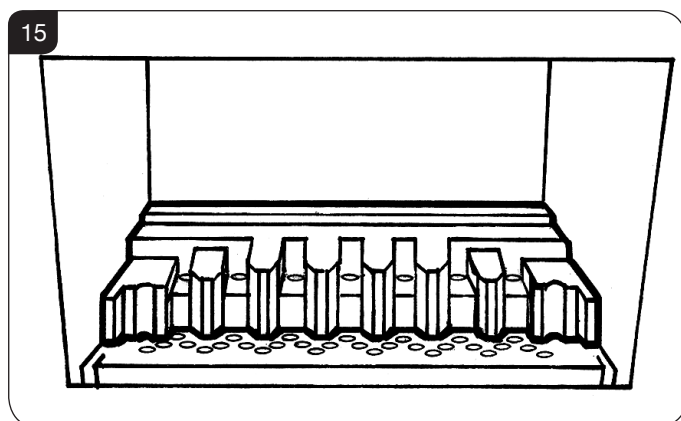
- 8.12 Place five small coals along the rear of the flame baffle, resting against the rear ledge, see Diagram 14.



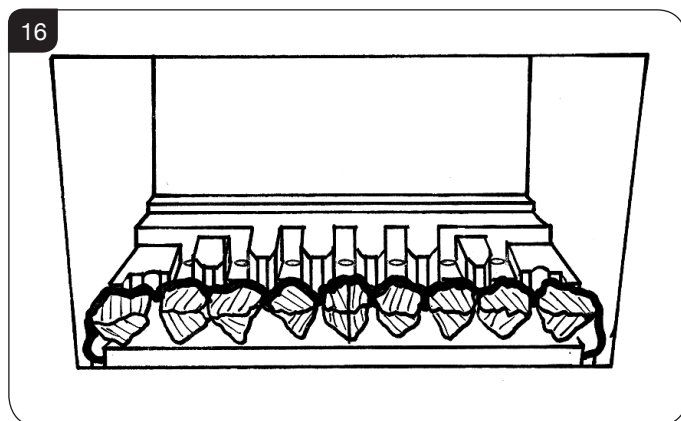
- 8.13 Replace the door, see Section 9.

Large Marlborough

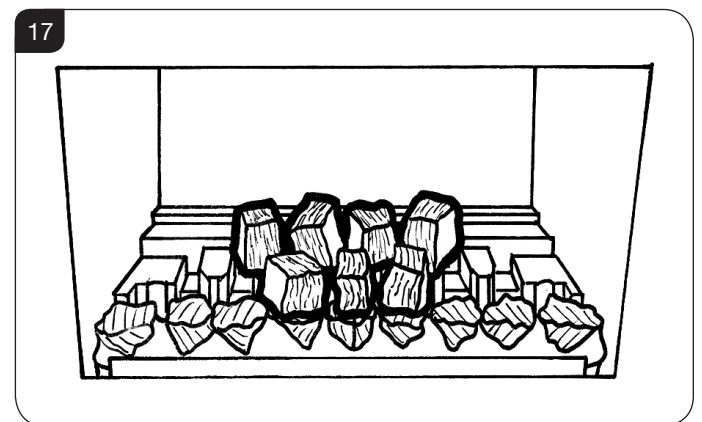
- 8.14 Place the flame baffle onto the shelf at the rear of the tray and push up against the rear ledge, see Diagram 15.



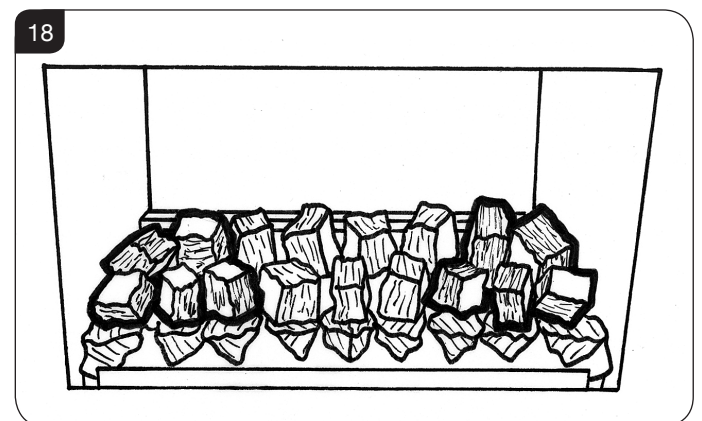
- 8.15 Locate the front coal moulding in front of the flame baffle ensuring that the end legs sit flat against the burner skin, see Diagram 16.



- 8.16 Place three large coals on the front coal so that they lean against the flame baffle and four large coals on the flame baffle so that they sit on the fingers, see Diagram 17.

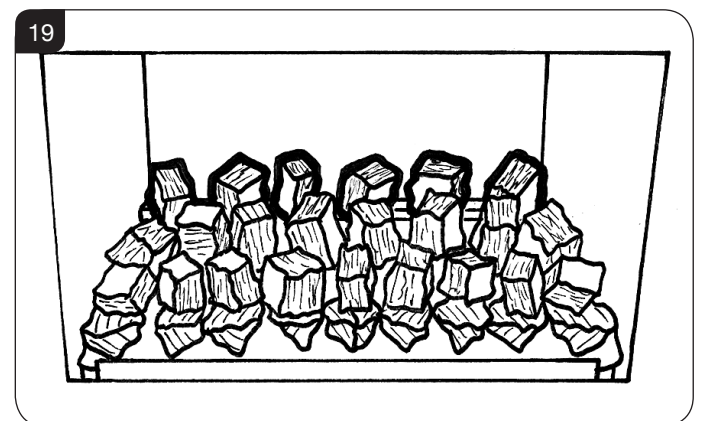


- 8.17 Place three small coals at each end of the front coal so that they lean against the flame baffle and a further four large coals on the flame baffle, two at each end, see Diagram 18.



- 8.18 Place six small coals along the rear of the flame baffle, resting against the rear ledge, see Diagram 19.

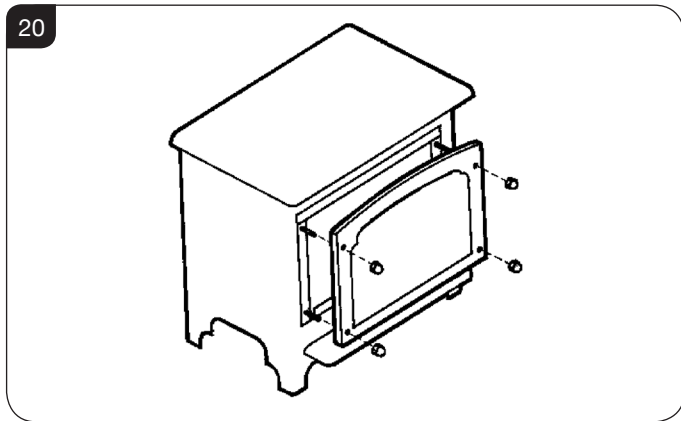
NOTE: ENSURE THAT THE COALS ARE POSITIONED, AS DETAILED ABOVE. ONLY USE THE CORRECT AMOUNT OF COALS, AS SPECIFIED IN THE DIAGRAMS.



Installation Instructions

9. Replacing the Door

- 9.1 Ensure that the rope seal on the back of the door is intact. Locate the door on the four studs and slide back to the firebox. Secure in place using the four dome nuts and the tool supplied, do not over tighten the nuts, see Diagram 20.



NEVER OPERATE THE APPLIANCE WHEN THE DOOR IS REMOVED OR WHEN THE GLASS IS BROKEN.

- 9.2 Replace ALL of the securing nuts ensuring that a nut is present on all fixing studs.

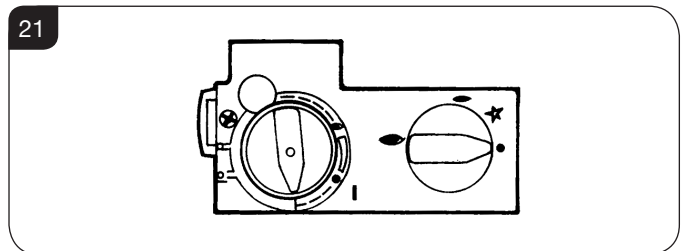


UNDER NO CIRCUMSTANCES SHOULD THE APPLIANCE BE USED IF ANY OF THE DOOR RETAINING NUTS ARE LOOSE OR MISSING.

10. Operating the Appliance

- 10.1 Locate the control valve on the appliance. It has two controls, see Diagram 21:

1. The right-hand knob controls the pilot ignition.
2. The left-hand knob controls the main burner.



- 10.2 Refer to separate instructions if your appliance is upgraded to include battery remote control. The instructions below apply whether or not you have the remote upgrade.

Lighting the Pilot

- 10.3 To start the left-hand and right-hand control knobs must both point to off (●):

- 10.4 Press in the right-hand control knob and rotate anti-clockwise until a click is heard. Continue to press in. The knob points to the pilot (←).

The pilot is lit.

- 10.5 Keep the knob depressed for 10 seconds before releasing. The pilot remains lit.

Repeat the above steps if the pilot does not stay lit.

NOTE: If the pilot goes out, the Interlock system prevents you lighting again for a short period.

- 10.6 If, after repeating the above steps the pilot does not light, contact your Retailer or Installer.

- 10.7 Turn the right-hand knob to the left to main burner setting (↔).

Adjusting the Flame height

- 10.8 You can now adjust the flame height and temperature using the left-hand control knob.

- 10.9 Turn the left-hand knob anti-clockwise to increase the flame height.

- 10.10 Turn clockwise to decrease the height.



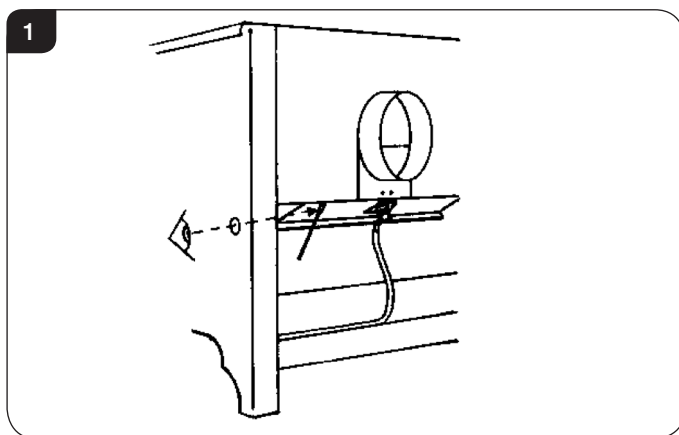
IMPORTANT: YELLOW FLAMES TYPICALLY APPEAR WHEN THE APPLIANCE HAS REACHED NORMAL OPERATING TEMPERATURE. THIS CAN TAKE UP TO 30 MINUTES.



WARNING: IF THE APPLIANCE FAILS TO LIGHT OR BECOMES EXTINGUISHED IN USE, WAIT 3 MINUTES BEFORE ATTEMPTING TO RELIGHT.

1. Commissioning

- 1.1 Close all doors and windows in the room.
- 1.2 Ignite the appliance and operate on maximum for 10 minutes.
- 1.3 Remove the plastic sight plug from the right-hand side of the appliance.
- 1.4 Position a lighted smoke match just inside the draught diverter opening at the rear of the appliance.
- 1.5 Check all smoke is drawn into the opening, see Diagram 1. Watch through the viewing hole in the side of the casing. In restricted locations a mirror can be used, see Diagram 1.



- 1.6 If there is any doubt, run the appliance for a further 10 minutes, and repeat the test.
- 1.7 If there are any extractor fans in adjacent rooms, the test must be repeated with the fans running on maximum and interconnecting doors open.

IF SPILLAGE PERSISTS, DISCONNECT THE APPLIANCE AND SEEK EXPERT ADVICE.

- 1.8 Complete the Commissioning Checklist at the front of this manual covering:
 - Flue checks
 - Gas checks
 - Log layout - flame picture
- 1.9 Upon completion of the commissioning and testing of the installation and correct operation of the appliance, the installer must instruct the user how to operate the appliance.
- 1.10 Guide the user through the User Instructions paying particular attention to:
 - a) Regular servicing (Section 11 of the User Instructions).
 - b) Ventilation (Section 12 of the User Instructions) - point out the ventilation positions where applicable.
 - c) Hot surfaces (Section 14 of the User Instructions).

Servicing Instructions

Servicing/Fault Finding Charts

1. Servicing Requirements

IMPORTANT – The glass panel on this appliance should be checked for any signs of damage on the front face of the glass panel (scratches, scores, cracks or other surface defects). If damage is observed, the glass panel must be replaced and the appliance must not be used until a replacement is installed. Under no circumstances should the appliance be used if any damage is observed. Please isolate the appliance until a replacement glass panel has been obtained and installed. Replacement glass panels can be purchased from Gazco via the retailer from which the appliance was purchased or any other Gazco distributor.

This appliance must be serviced at least once a year by a competent person.

All tests must be carried out in accordance with the current GasSafe recommendations.

1.1 Before Testing:

- Conduct a gas soundness test for the property ensuring there are no leaks before servicing.
- Check the operation of the appliance before testing.

1.2 Special checks:

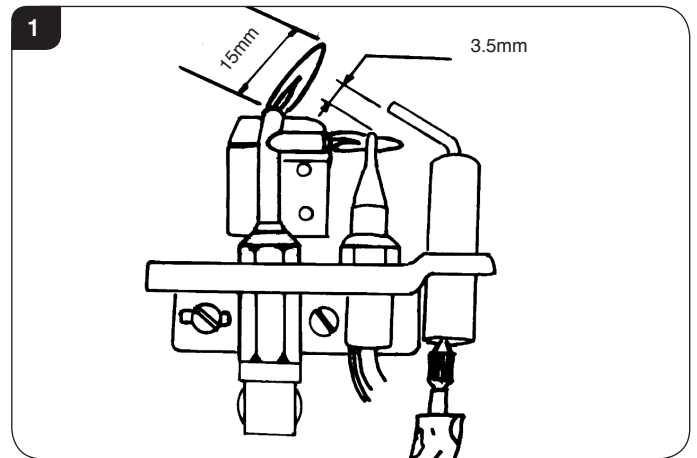
- Clean the burner using a vacuum cleaner with a soft brush attachment. Ensure all debris is removed from the burner ports.

- Clean any lint or fluff from the pilot - pay particular attention to the aeration holes of the pilot.
- Clean away lint or fluff from under the burner.
- Check the spark gap on the pilot is correct, see Diagram 1.
- Ensure that the glass frame is secured correctly and that all retaining screws are in place.

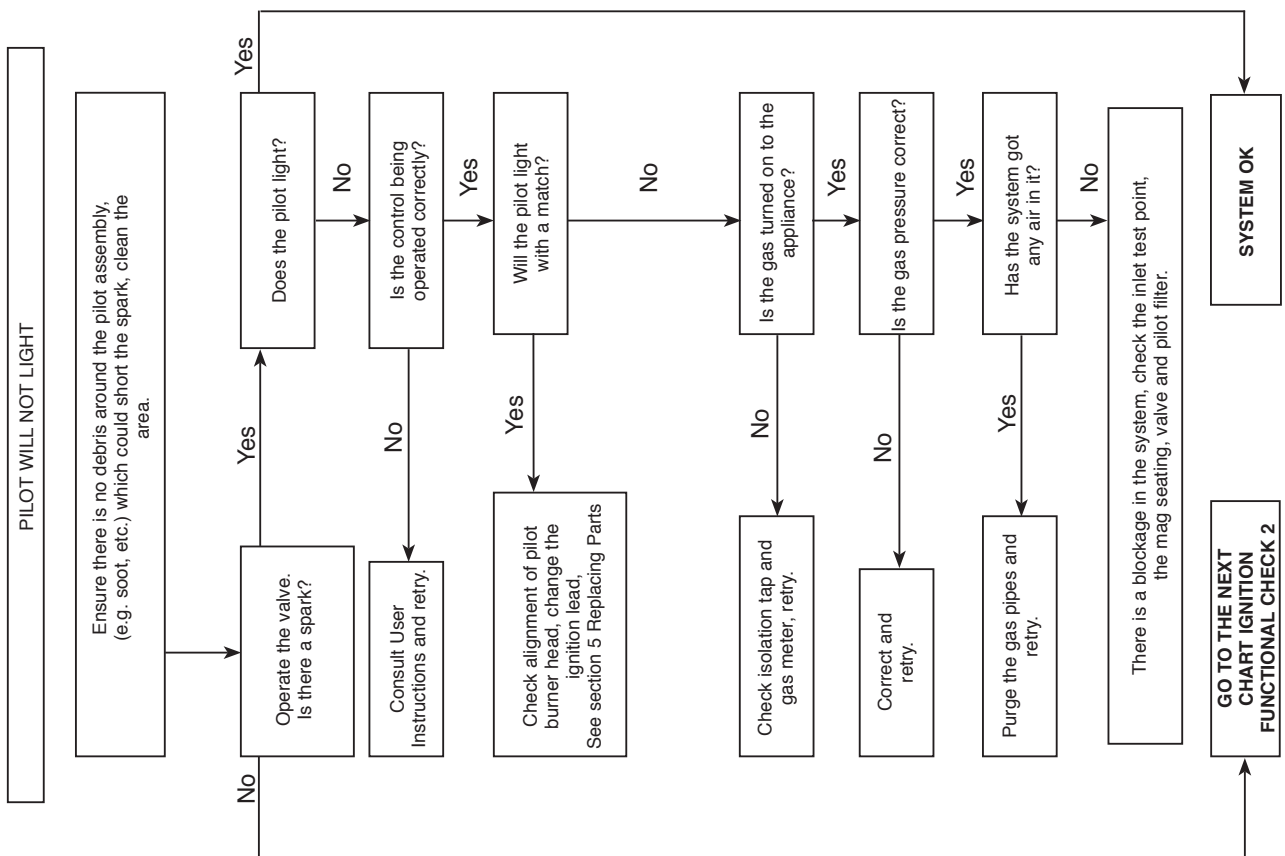
1.3 Correct any faults found during the initial test.

1.4 Re-commission the appliance in accordance with Commissioning Procedures.

1.5 Advise the customer of any remedial work undertaken.



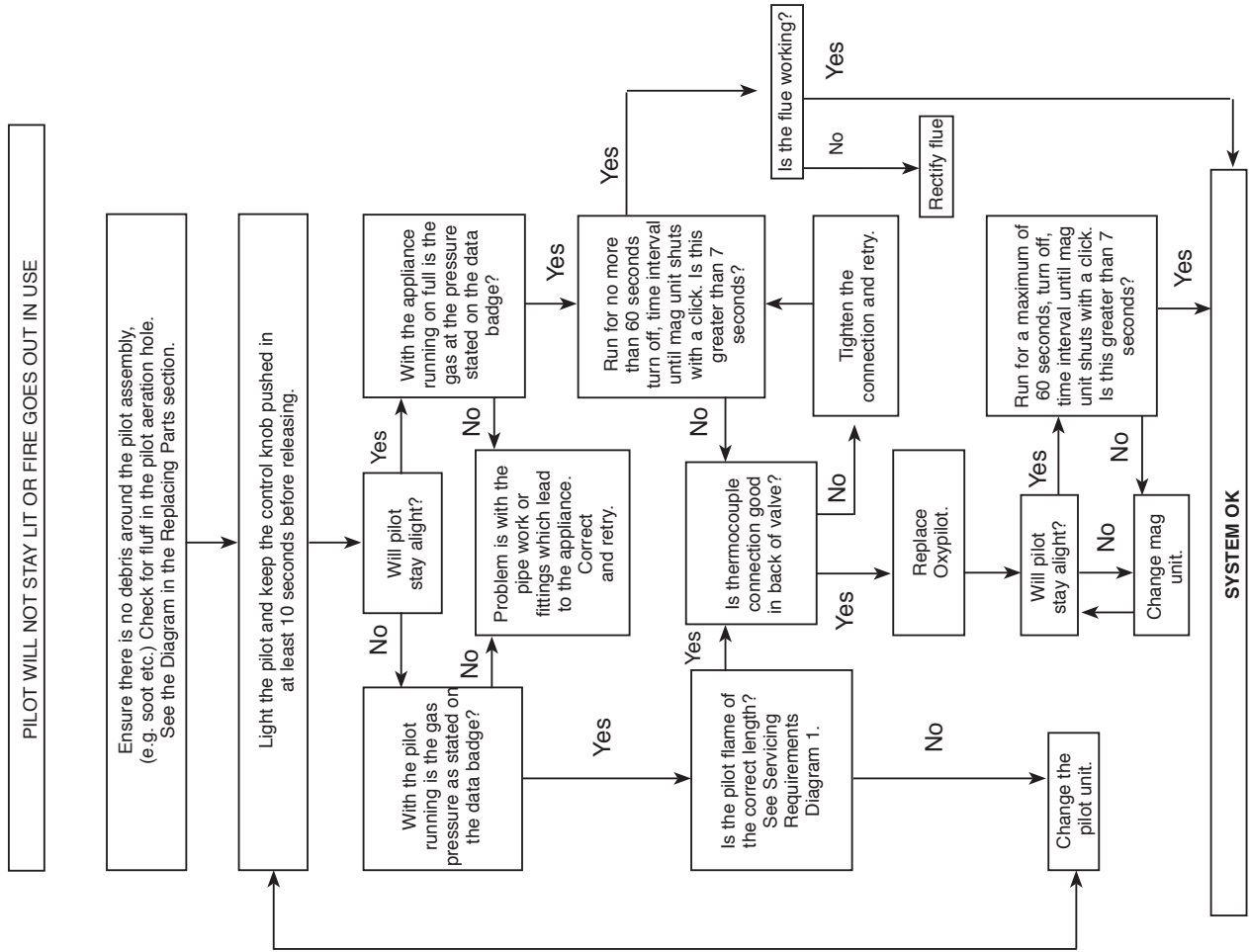
IGNITION FUNCTIONAL CHECK 1



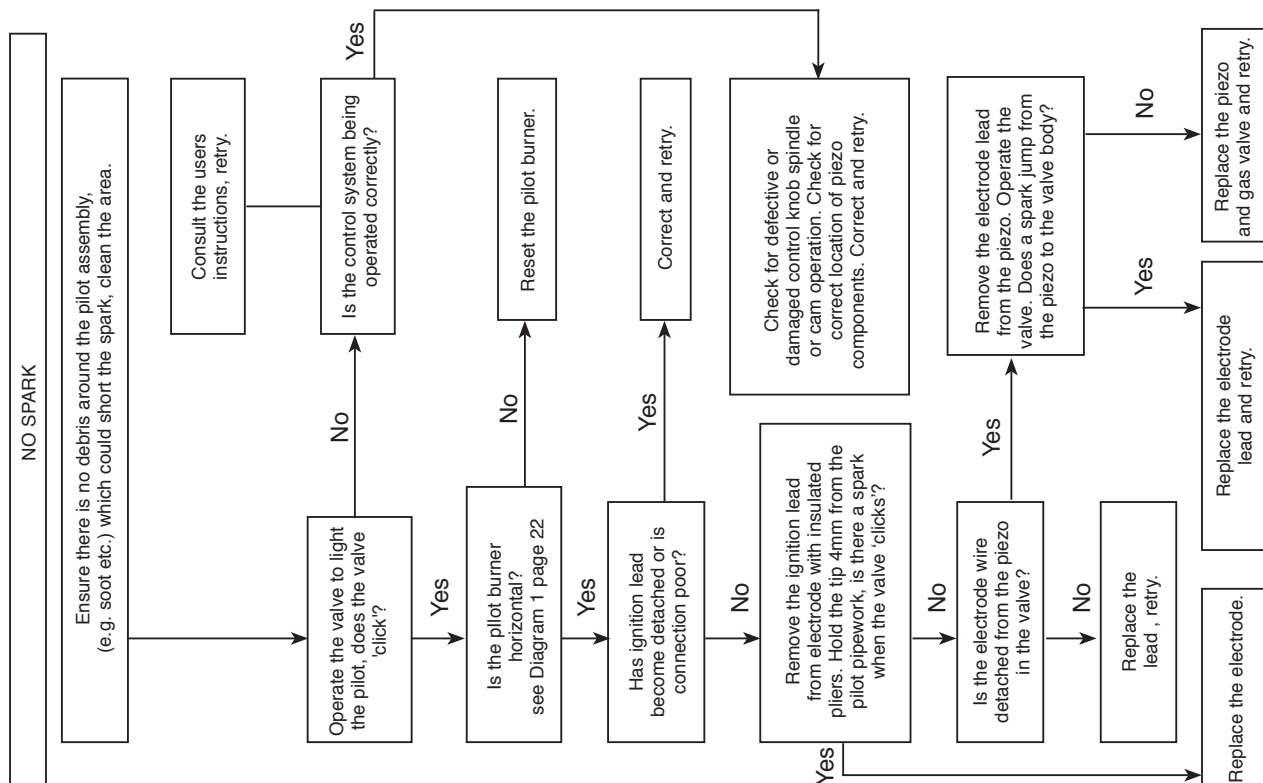
Servicing Instructions

Fault Finding Charts

FLAME FAILURE FUNCTIONAL CHECK 3



IGNITION FUNCTIONAL CHECK 2



Servicing Instructions - Replacing Parts

1. General

- 1.1 All main components can be replaced without removing the appliance from its installation.
- 1.2 Ensure the appliance and surrounds are cool before servicing.

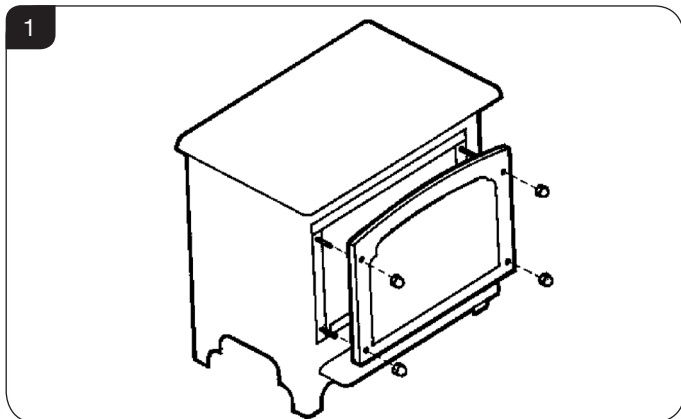
IT IS ESSENTIAL THAT THE GAS SUPPLY TO THE APPLIANCE IS TURNED OFF AT THE ISOLATION DEVICE BEFORE PROCEEDING FURTHER.

2. Removing the Door



IMPORTANT: THE OUTER PANNELLING AND DOOR OF THE APPLIANCE IS MADE FROM CAST IRON. TAKE CARE WHEN INSTALLING, REMOVING AND STORING TO AVOID DAMAGING THE OUTER CASING, HEARTH OR DOOR.

- 2.1 Remove the 4 dome nuts retaining the door, see Diagram 1. Take care when removing the door as it is heavy. Place carefully to one side.



- 2.2 Refit in reverse order.
- 2.3 Ensure that the rope seal on the back of the door is intact, locate the door on the 4 studs and slide back to the firebox. Secure in place using the 4 dome nuts and tool supplied. Do not over tighten the nuts, see Diagram 1.

NEVER OPERATE THE APPLIANCE WHEN THE DOOR IS REMOVED, OR THE GLASS IS BROKEN.

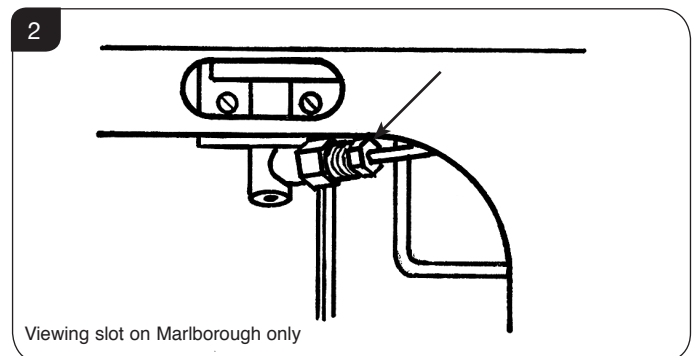
- 2.4 Replace ALL of the securing nuts ensuring that a nut is present on all fixing studs.



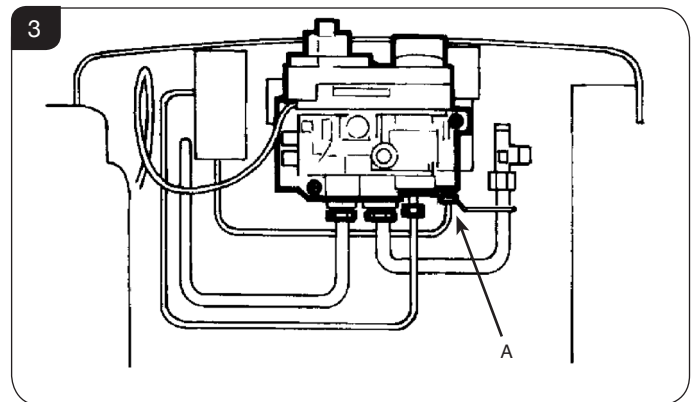
UNDER NO CIRCUMSTANCES SHOULD THE APPLIANCE BE USED IF ANY OF THE DOOR RETAINING NUTS ARE LOOSE OR MISSING.

3. Burner Unit Removal

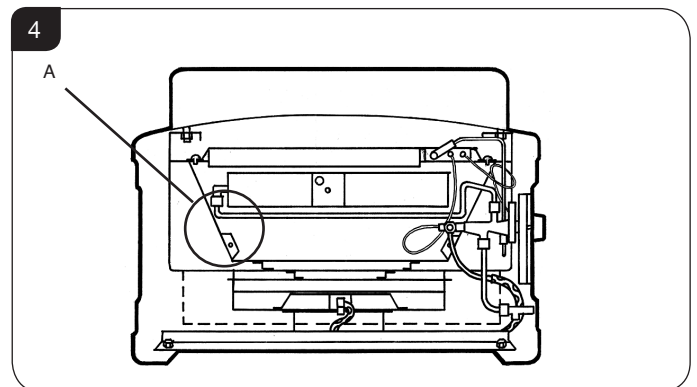
- 3.1 Turn the gas supply off at the isolation device, remove the door and place to one side and carefully remove the ceramic fuel bed components.
- 3.2 Remove the front cover-plate, this is secured by two screws.
- 3.3 Remove cover plate fixing bracket this is held in place by 2 wing nuts. (**Small Stoves only**)
- 3.4 Unscrew the pilot nut on the gas valve, see Diagram 2.



- 3.5 Disconnect thermocouple from gas valve, see Diagram 3. Remove ignition lead from electrode. Cut cable tie to ignition lead if required.

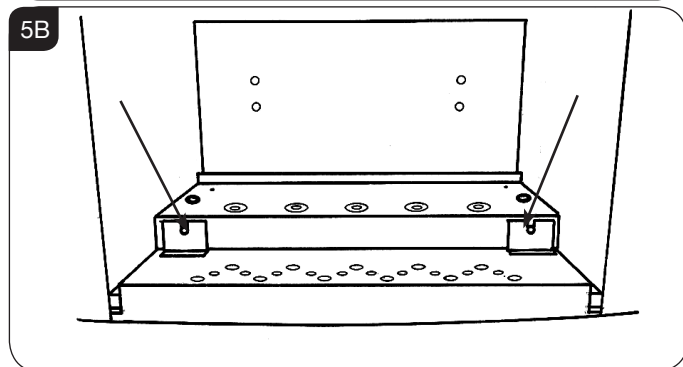
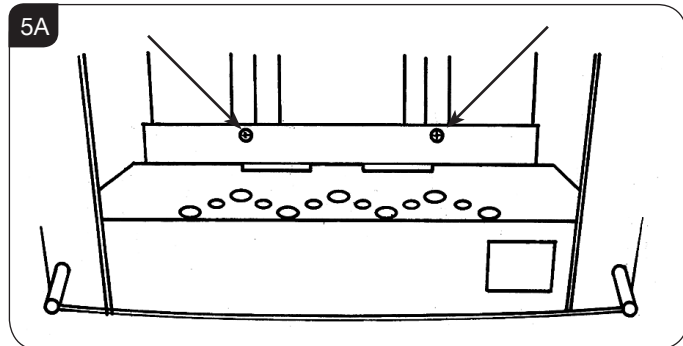


- 3.6 Loosen main injector nut on airbox and disconnect from injector, see Diagram 4, A.



Servicing Instructions - Replacing Parts

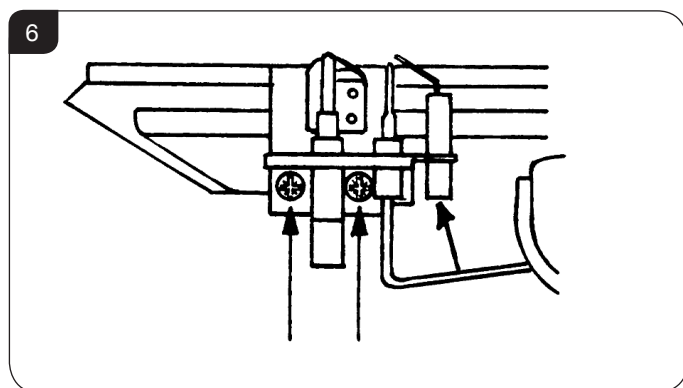
- 3.7 Remove the 2 screws attaching burner to back of unit, see diagrams 5A & 5B. Carefully withdraw burner unit upwards and tilt to remove the burner through door opening. Remove the 2 screws holding the heat shield in place.



- 3.8 Replace in reverse order checking all joints for leaks.

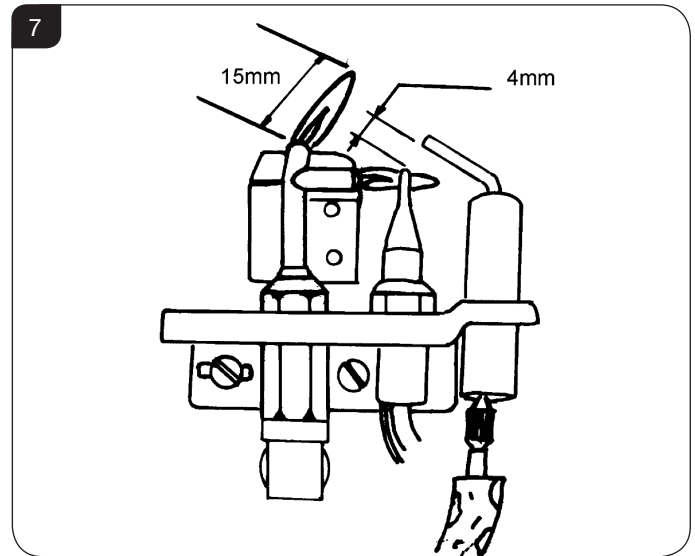
4. Pilot Unit

- 4.1 Remove the main burner, see Section 3.
4.2 Carefully cut the cable ties holding the thermocouple to the pilot pipe.
4.3 Remove the ignition lead from the electrode, undo the 2 retaining screws and remove the pilot, see Diagram 6.



- 4.4 When replacing the pilot ensure the thermocouple follows its original route, i.e. along the pilot pipe. Attach the thermocouple to the pipe with new cable ties.

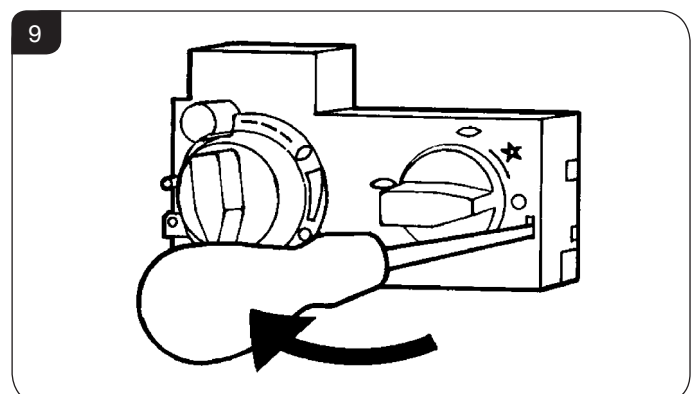
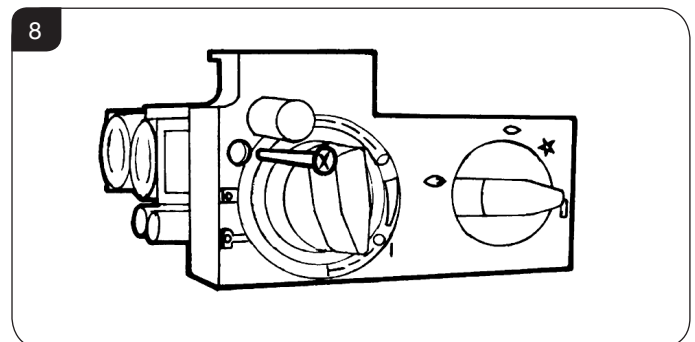
- 4.5 Set the spark gap, see Diagram 7.



5. Ignition Lead

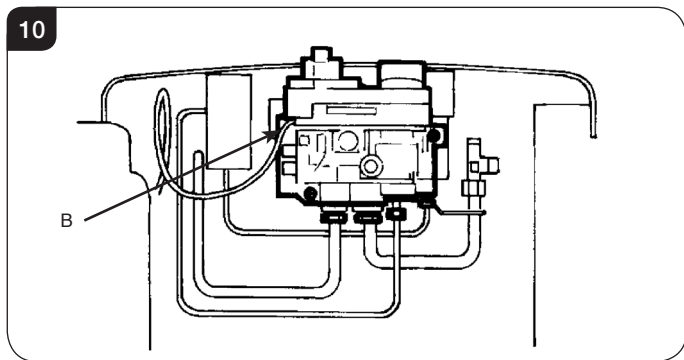
- 5.1 To access the back of the pilot assembly, see Section 3.
5.2 Disconnect the ignition lead from the electrode.
5.3 Remove the front cover from the control valve by removing the retaining screw, see Diagram 8 and gently levering clear with flat bladed screwdriver, see Diagram 9.

NOTE: There is a small cylindrical metal spacer inside the cover, this must be kept and replaced on the fixing screw on re-assembly



Servicing Instructions - Replacing Parts

- 5.4 Disconnect the end of the ignition lead from the valve body, see Diagram 10, Arrow B, note the existing route of the ignition lead.



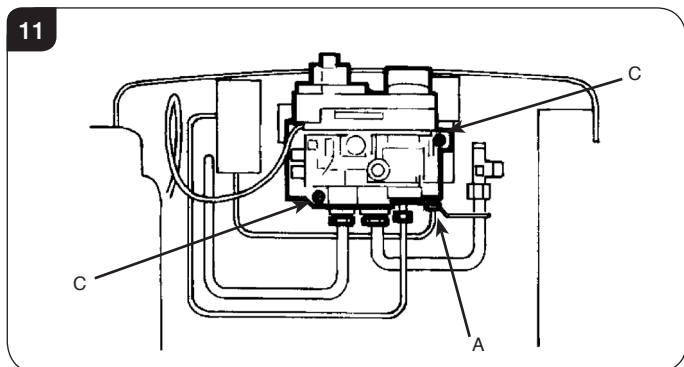
- 5.5 Replace with a new ignition lead following the same route as the old one.
5.6 Replace the valve cover and the pilot assembly.
5.7 Check operation of the new ignition lead.

6. Piezo

- 6.1 The piezo assembly used on this appliance is not serviceable and is unlikely to fail.
6.2 If a new piezo is required it will be necessary to change the gas valve, see Section 7.

7. Gas Valve

- 7.1 Turn the gas supply off at the isolation device.
7.2 Disconnect the 2 x 8mm and 1 x 4mm gas pipe fittings at the back of the gas valve.
7.3 Disconnect the thermocouple, see Diagram 11, Arrow A.



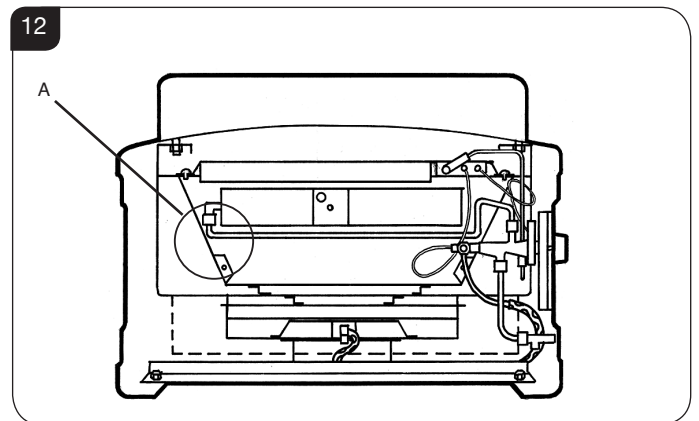
- 7.4 Remove the control valve cover and disconnect the ignition lead from the gas valve, see Section 5.
7.5 Undo the 2 bolts securing the gas valve to the appliance and remove the valve, see Diagram 11, Arrow C.
7.6 Replace in reverse order.
7.7 Check all joints for gas leaks and check operation of the thermocouple and ignition lead.

8. Magnetic Safety Valve

- 8.1 Turn the gas supply off at the isolation device.
8.2 Undo the thermocouple connection from the back of the gas valve.
8.3 Pull the sensor leads clear and remove the interrupter block.
8.4 Undo the magnetic valve retaining nut at the back of the control valve, see Diagram 11, Arrow A.
8.5 Gently tap out the magnetic valve and replace with a new unit.
8.6 Replace the retaining nut and tighten.
8.7 Reassemble the interrupter block and leads. Secure the thermocouple connection in the rear of the gas control. (Do not over tighten).
8.8 Turn the gas supply on and check the entire pipe work and valve joints for any leaks.

9. Main Injector

- 9.1 Turn the gas supply off at the isolation device.
9.2 Locate the main injector on the left hand side of the airbox, undo the compression nut and pull the pipe clear of the injector body, see Diagram 12, arrow A.



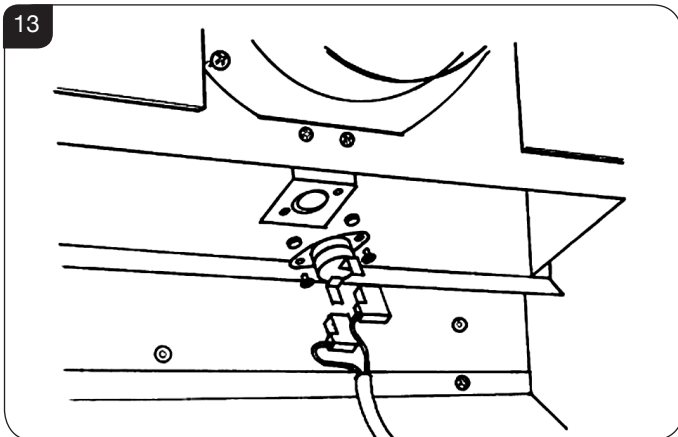
- 9.3 Rotate the injector until it is fully removed, and install the correct replacement injector.
9.4 Reassemble in reverse order,
9.5 Turn on the gas supply and check for any leaks.

Servicing Instructions - Replacing Parts

10. Gazco Flue Sure System

If the appliance has been installed in a restrictive location, it may be necessary to remove the appliance from its location.

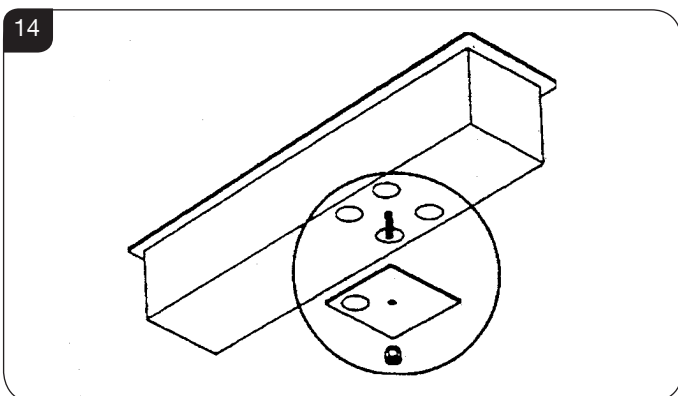
- 10.1 Locate the sensor in the draught diverter opening, and gently pull the two wires off the terminals.
- 10.2 Undo the 2 screws and remove the sensor and the 2 plastic spacers, see Diagram 13.



- 10.2 Refit the new sensor, ensuring that the plastic spacers are between the sensor and the bracket. Replace the 2 leads.
- 10.3 If it has been necessary to remove the appliance, ensure that all disturbed gas joints are checked for gas soundness when reinstalled, and repeat the flue clearance test as detailed in the Commissioning Section.

11. Primary aeration plate

- 11.1 Turn the gas supply off at the isolation device.
- 11.2 Locate the aeration plate on the underside of the airbox and remove the Nyloc nut, see Diagram 14.



- 11.3 Remove the plate and replace with the correct size, ensure that the hole(s) in the plate align correctly with the holes in the underside of the airbox and replace the Nyloc nut.

12. Changing Between Gas Types

- 12.1 In order to change between gas types, it will be necessary to change the following items.

- Pilot Unit
- Control Valve**
- Main Injector
- Aeration Plate (if required)
- Databadge

A kit of parts is available for this, always quote the Model number and Serial number when ordering any spare parts.

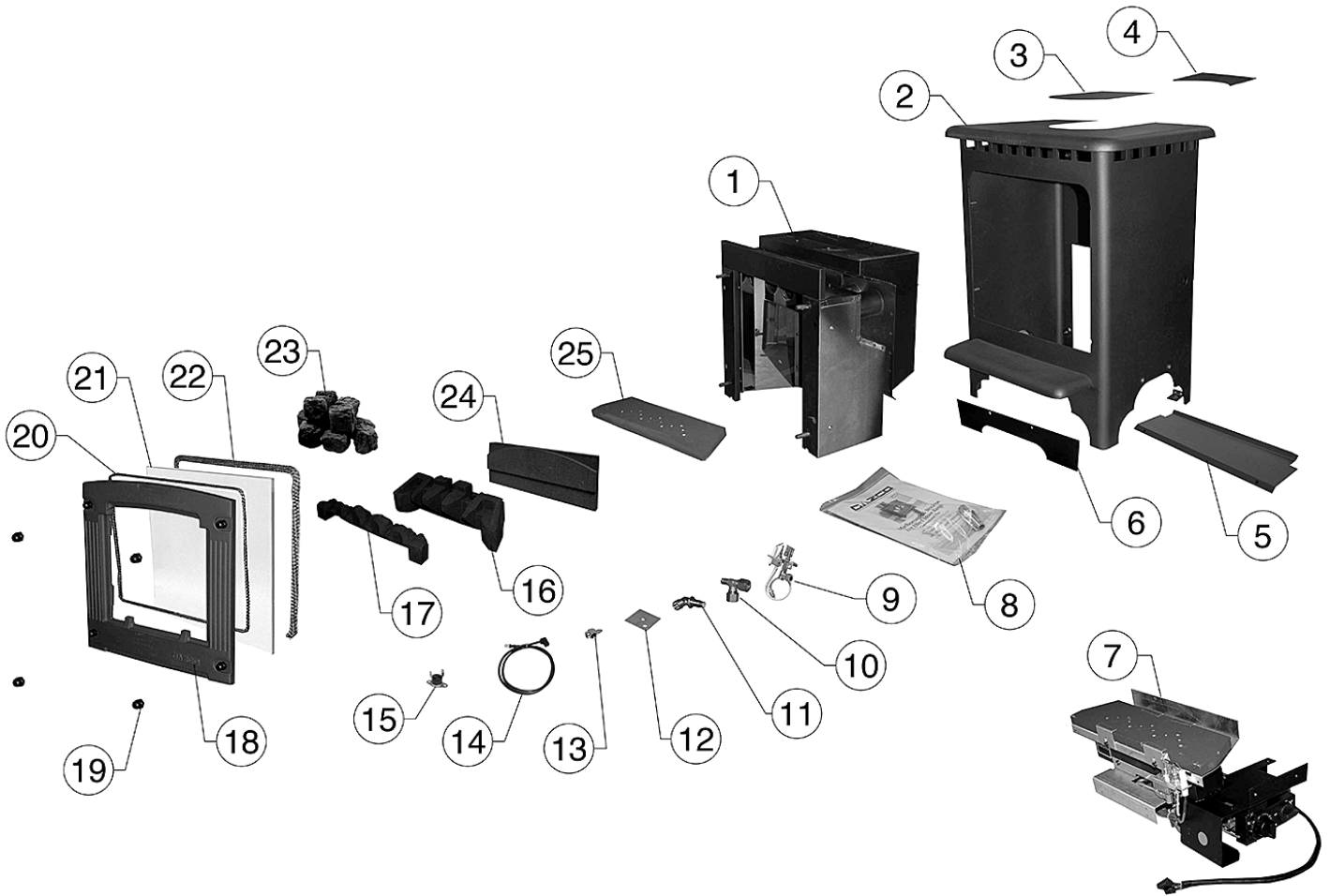
**** NOTE: THE CONTROL VALVE IS FACTORY PRESET FOR CORRECT GAS TYPE AND MODEL. A NEW UNIT WILL NEED TO BE ORDERED WHEN CHANGING BETWEEN GAS TYPES.**

13. Control Upgrade

See Installation Instructions, Section 2.

Servicing Instructions - Replacing Parts

14. Short Spares List - Marlborough Small



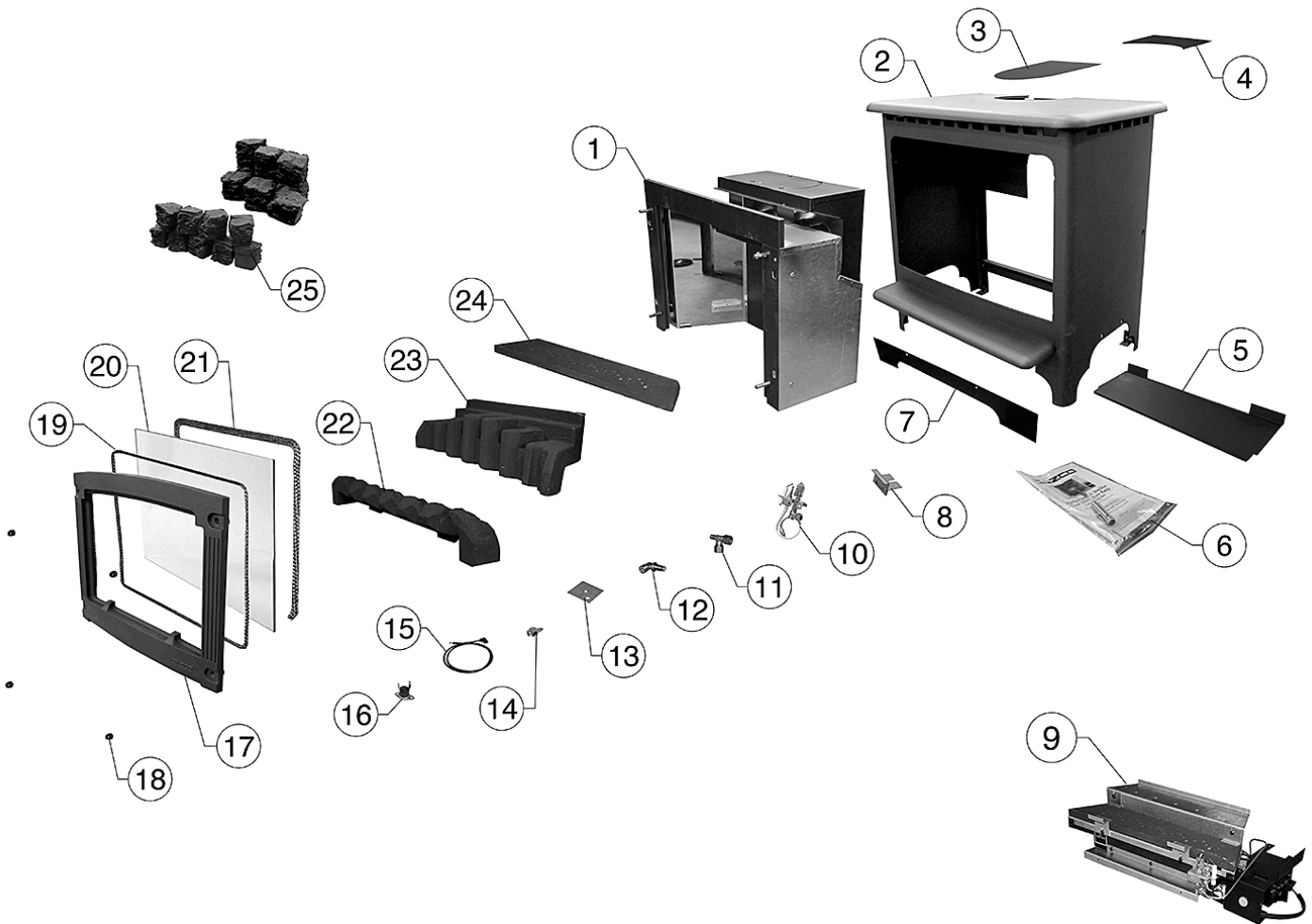
No.	Component	Part Code		
		Natural Gas	LPG	Quantity
1	Firebox	MEC0250		1
2	Carcass Small	GZ1138		1
3	Rear Exit Blanking Plate	MEC0097		1
4	Top Exit Blanking Plate	MEC0099		1
5	Heat Shield	GZ1075		1
6	Skirt	GZ3604		1
7	Burner Assembly	B0145		1
8	Instruction Kit	GZ3573		1
9	Pilot	PI0036	PI0037	1
10	Pressure Test Elbow	IN0009		1
11	Elbow Injector	Size 260 IN0001	Size 120 IN0003	1
12	Aeration Plate	ME1094	ME1071	1
13	Interrupter Block	GC0026		1

No.	Component	Part Code		
		Natural Gas	LPG	Quantity
14	Flue Sensor Leads	EL0064		2
15	Flue Sensor	EL0001		1
16	Flame Baffle	CE0118		1
17	Front Coal	CE0122		1
18	Cast Door	CA0215		1
19	Black Dome Nuts	FA0259		4
20	4mm Diameter Ropeseal	FA0136		1
21	Glass Panel	CE0134		1
22	12mm Diameter Ropeseal	FA0135		1
23	Coal Set	CE0127		1
24	Ceramic Panel - Back	CE0135		1
25	Burner Skin	CE0114		1

Due to continual technical improvements please check online at www.gazcospares.com or with your Gazco retailer for the most up to date parts lists.

Servicing Instructions - Replacing Parts

14. Short Spares List - Marlborough Medium



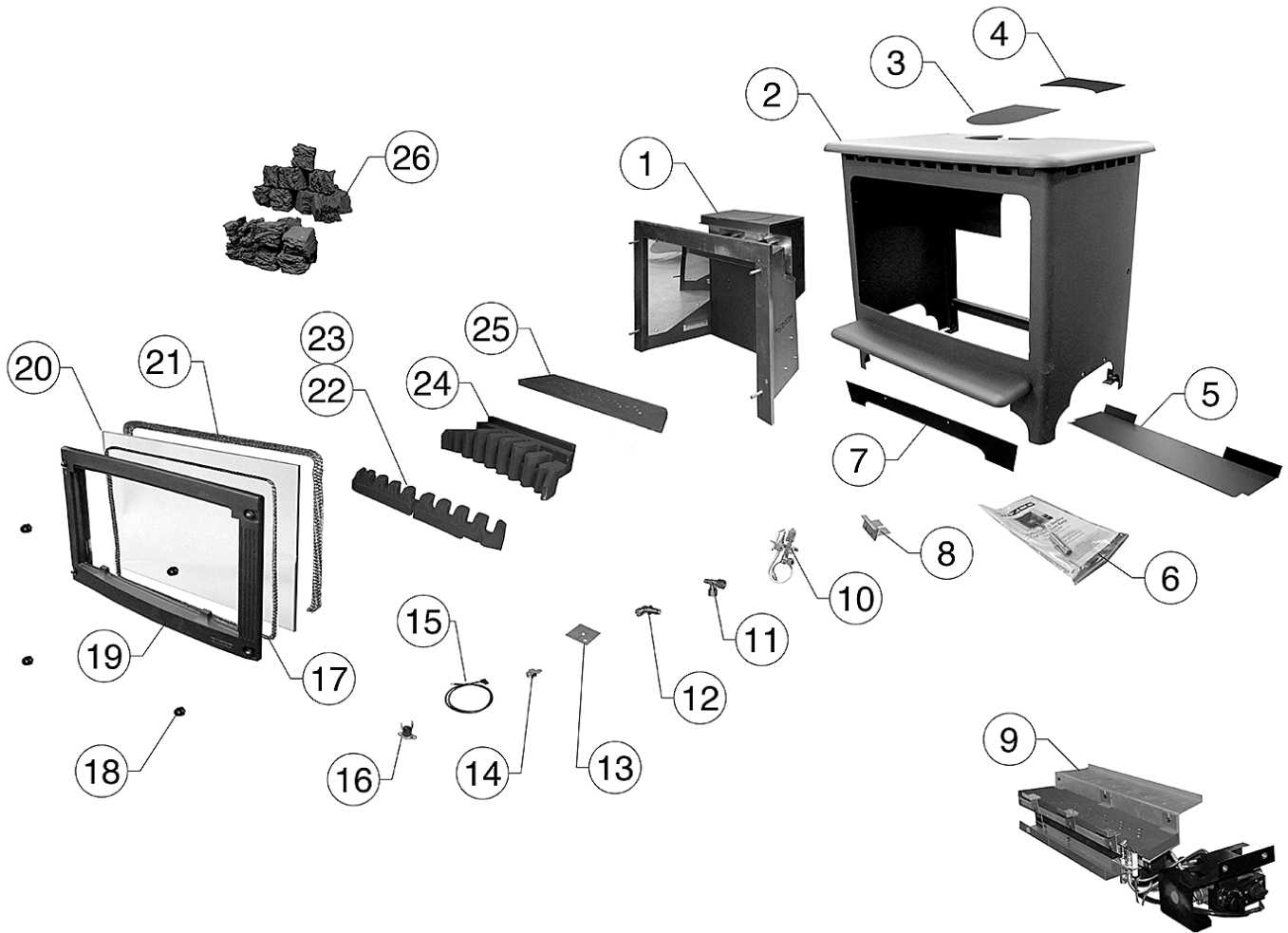
No.	Component	Part Code		
		Natural Gas	LPG	Quantity
1	Firebox	MEC0252		1
2	Carcass Medium	GZ1139		1
3	Rear Exit Blanking Plate	MEC0096		1
4	Top Exit Blanking Plate	MEC0098		1
5	Heat Shield	GZ1076		1
6	Instruction Kit	GZ3573		1
7	Skirt	GZ3607		1
8	Front Coal Support	GZ1003		1
9	Burner Assembly	B0146		1
10	Pilot	PI0036	PI0037	1
11	Pressure Test Elbow	IN0009		1
12	Elbow Injector	Size 375 IN0045	Size 170 IN0006	1
13	Aeration Plate	ME1096	ME0834	1

No.	Component	Part Code		
		Natural Gas	LPG	Quantity
14	Interrupter Block	GC0026		1
15	Flue Sensor Leads	EL0064		2
16	Flue Sensor	EL0001		1
17	Cast Door	CA0216		1
18	Black Dome Nuts	FA0259		4
19	4mm Diameter Ropeseal	FA0136		1
20	Glass Panel	CE0133		1
21	12mm Diameter Ropeseal	FA0135		1
22	Front Coal	CE0124		1
23	Flame Baffle	CE0120		1
24	Burner Skin	CE0116		1
25	Coal Set	CE0136		1

Due to continual technical improvements please check online at www.gazcospares.com or with your Gazco retailer for the most up to date parts lists.

Servicing Instructions - Replacing Parts

14. Short Spares List - Marlborough Large



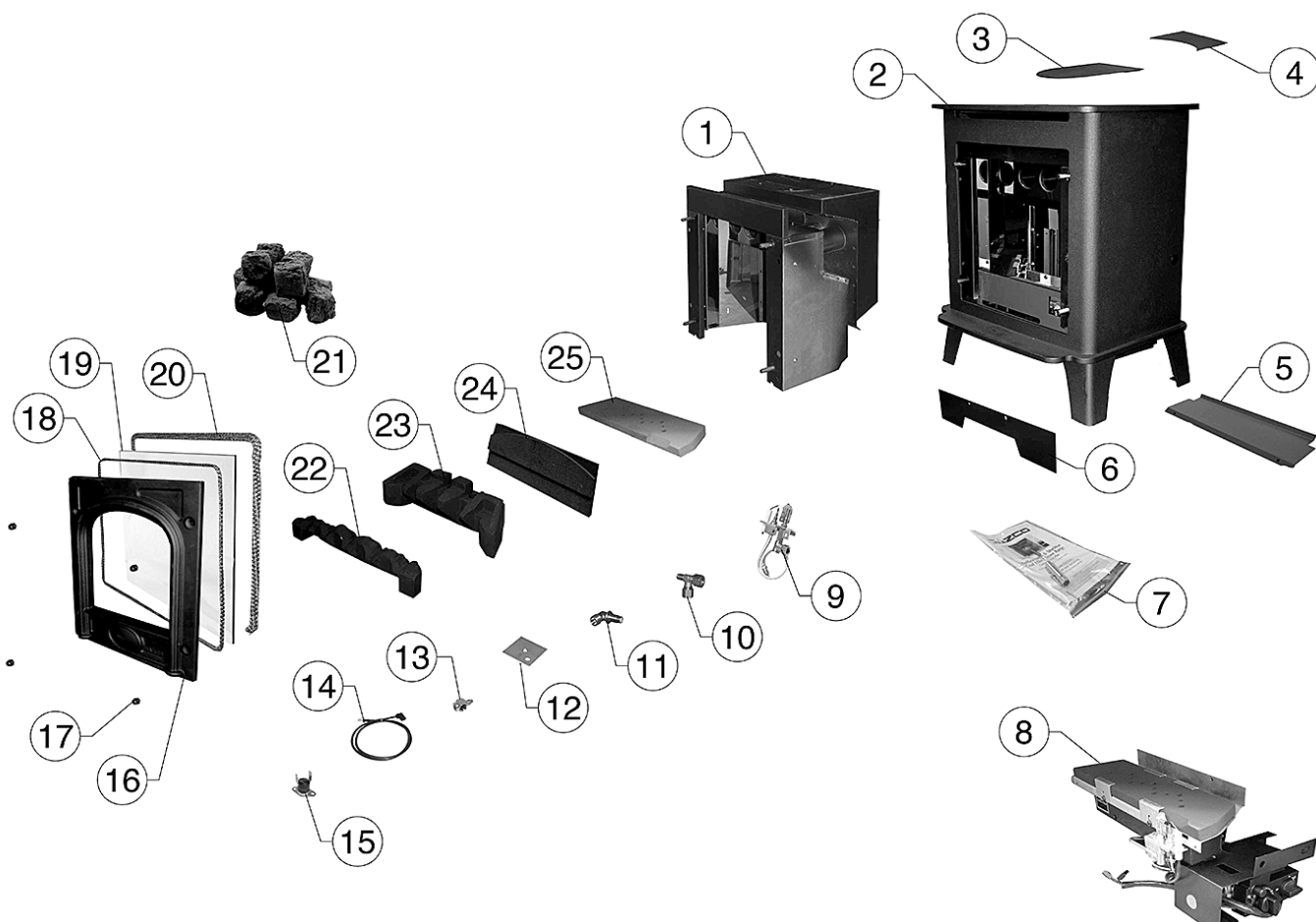
No.	Component	Part Code		
		Natural Gas	LPG	Quantity
1	Firebox	MEC0254		1
2	Carcass Medium	GZ1140		1
3	Rear Exit Blanking Plate	MEC0096		1
4	Top Exit Blanking Plate	MEC0098		1
5	Heat Shield	GZ1077		1
6	Instruction Kit	GZ3573		1
7	Skirt	GZ3618		1
8	Front Coal Support	GZ1003		1
9	Burner Assembly	B0147		1
10	Pilot	PI0036	PI0037	1
11	Pressure Test Elbow	IN0009		1
12	Elbow Injector	Size 560 IN0046	Size 240 IN0044	1
13	Aeration Plate	ME1071	ME1095	1

No.	Component	Part Code		
		Natural Gas	LPG	Quantity
14	Interrupter Block	GC0026		1
15	Flue Sensor Leads	EL0064		2
16	Flue Sensor	EL0063		1
17	4mm Diameter Ropeseal	FA0136		1
18	Black Dome Nuts	FA0259		4
19	Cast Door	CA0217		1
20	Glass Panel	CE0132		1
21	12mm Diameter Ropeseal	FA0135		1
22	Front Coal - LH	CE0125		1
23	Front Coal - RH	CE0126		1
24	Flame Baffle	CE0121		1
25	Burner Skin	CE0117		1
26	Coal Set	CE0137		1

Due to continual technical improvements please check online at www.gazcospares.com or with your Gazco retailer for the most up to date parts lists.

Servicing Instructions - Replacing Parts

14. Short Spares List - Stockton Small



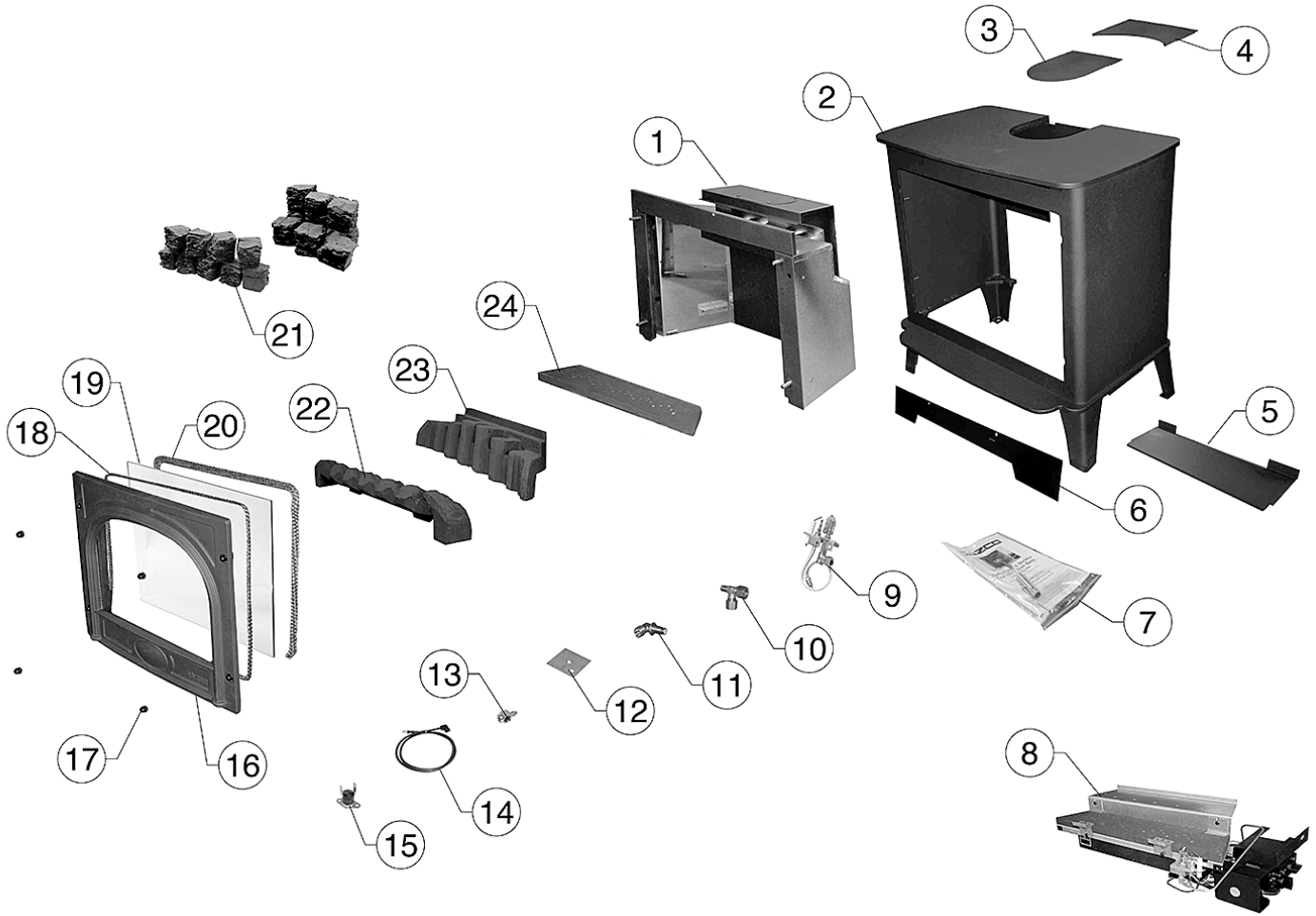
No.	Component	Part Code		
		Natural Gas	LPG	Quantity
1	Firebox	MEC0251		1
2	Carcass Assembly	GZ3327		1
3	Rear Exit Blanking Plate	MEC3330		1
4	Top Exit Blanking Plate	MEC3331		1
5	Heat Shield	GZ1075		1
6	Skirt	GZ3605		1
7	Instruction Kit	GZ3573		1
8	Burner Assembly	B0150		1
9	Pilot	PI0036	PI0037	1
10	Pressure Test Elbow	IN0009		1
11	Elbow Injector	Size 260 IN0001	Size 120 IN0003	1
12	Aeration Plate	ME1094	ME1071	1
13	Interrupter Block	GC0026		1

No.	Component	Part Code		
		Natural Gas	LPG	Quantity
14	Flue Sensor Leads	EL0064		2
15	Flue Sensor	EL0001		1
16	Door Casting	CA0559		1
17	Black Dome Nuts	FA0259		4
18	4mm Diameter Ropeseal	FA0136		1
20	Glass Panel	CE0195		1
21	12mm Diameter Ropeseal	FA0135		1
22	Coal Set	CE0127		1
23	Front Coal	CE0122		1
24	Flame Baffle	CE0118		1
25	Ceramic Panel - Back	CE0135		1
26	Burner Skin	CE0114		1

Due to continual technical improvements please check online at www.gazcospares.com or with your Gazco retailer for the most up to date parts lists.

Servicing Instructions - Replacing Parts

14. Short Spares List - Stockton Medium



No.	Component	Part Code		
		Natural Gas	LPG	Quantity
1	Firebox	MEC0253		1
2	Carcass Assembly	GZ3251		1
3	Rear Exit Blanking Plate	MEC7040		1
4	Top Exit Blanking Plate	MEC7258		1
5	Heat Shield	GZ1076		1
6	Skirt	GZ3608		1
7	Instruction Kit	GZ3573		1
8	Burner Assembly	B0151		1
9	Pilot	PI0036	PI0037	1
10	Pressure Test Elbow	IN0009		1
11	Elbow Injector	Size 375 IN0045	Size 170 IN0006	1
12	Aeration Plate	ME1096	ME0834	1

No.	Component	Part Code		
		Natural Gas	LPG	Quantity
13	Interrupter Block	GC0026		1
14	Flue Sensor Leads	EL0064		2
15	Flue Sensor	EL0001		1
16	Door Casting	CA7046		1
17	Black Dome Nuts	FA0259		4
18	4mm Diameter Ropeseal	FA0136		1
19	Glass Panel	CE0194		1
20	12mm Diameter Ropeseal	FA0135		1
21	Coal Set	CE0136		1
22	Front Coal	CE0124		1
23	Flame Baffle	CE0120		1
24	Burner Skin	CE0116		1

Due to continual technical improvements please check online at www.gazcospares.com or with your Gazco retailer for the most up to date parts lists.

Servicing Instructions - Replacing Parts

14. Short Spares List - Control Assembly - All Models



No.	Component	Part Code		
		Natural Gas	LPG	Quantity
1	Control Valve	GC0088K		1
2	Control Valve Cover	GC0087		1
3	Magnetic Unit	GC0166		1
4	Micro Switch & Screw	EL0241		1
5	Standard Handset	EL0239		1
6	Thermostatic Handset	EL0240		1
7	Standard Receiver	EL0235		1
8	Thermostatic Receiver	EL0236		1
9	Thermostatic Receiver Cable	EL0238		1
10	Standard Receiver Cable	EL0237		1
11	Geared Motor	EL0234		1
12	Ignition Lead	GC0090		1

Due to continual technical improvements please check online at www.gazcospares.com or with your Gazco retailer for the most up to date parts lists.

Service Records

1ST SERVICE

Date of Service
Next Service Due
Signed
Retailer's Stamp/GasSafe Registration Number

3RD SERVICE

Date of Service
Next Service Due
Signed
Retailer's Stamp/GasSafe Registration Number

5TH SERVICE

Date of Service
Next Service Due
Signed
Retailer's Stamp/GasSafe Registration Number

7TH SERVICE

Date of Service
Next Service Due
Signed
Retailer's Stamp/GasSafe Registration Number

9TH SERVICE

Date of Service
Next Service Due
Signed
Retailer's Stamp/GasSafe Registration Number

2ND SERVICE

Date of Service
Next Service Due
Signed
Retailer's Stamp/GasSafe Registration Number

4TH SERVICE

Date of Service
Next Service Due
Signed
Retailer's Stamp/GasSafe Registration Number

6TH SERVICE

Date of Service
Next Service Due
Signed
Retailer's Stamp/GasSafe Registration Number

8TH SERVICE

Date of Service
Next Due
Signed
Retailer's Stamp/GasSafe Registration Number

10TH SERVICE

Date of Service
Next Service Due
Signed
Retailer's Stamp/GasSafe Registration Number

Gazco Limited, Osprey Road, Sowton Industrial Estate, Exeter, Devon, England EX2 7JG
Technical Customer Services: (01392) 261950 Fax: (01392) 261951
E-mail: technicalservices@gazco.com

A member of the Stovax Group
E & O E