



Fire Your Imagination

Marlborough & Stockton

Conventional Flue Log Effect Stove

With Upgradeable Control Valve



Instructions for Use, Installation & Servicing

For use in GB & IE (Great Britain & Republic of Ireland).

IMPORTANT

THE OUTER CASING, FRONT AND GLASS PANEL BECOME EXTREMELY HOT DURING OPERATION AND WILL RESULT IN SERIOUS INJURY AND BURNS IF TOUCHED. IT IS THEREFORE RECOMMENDED THAT A FIREGUARD COMPLYING WITH BS 8423:2002 IS USED IN THE PRESENCE OF YOUNG CHILDREN, THE ELDERLY OR INFIRM.

This product contains a heat resistant glass panel. This panel should be checked during Installation and at each servicing interval. If any damage is observed on the front face of the glass panel (scratches, scores, cracks or other surface defects), the glass panel must be replaced and the appliance must not be used until a replacement is installed. Under no circumstances should the appliance be used if any damage is observed, the glass panel is removed or broken.

It is essential that ALL of the nuts that retain the door are replaced and tightened correctly. Under no circumstances should the appliance be operated if any of these nuts are loose or missing.

These Instructions must be left with the appliance for future reference and for consultation when servicing the appliance. Please make the customer aware of the correct operation of the appliance before leaving these instructions with them.

The commissioning sheet found on Page 3 of this Instruction manual must be completed by the Installer prior to leaving the premises.

Contents

Stockton 5 Conventional Flue Log Effect

Covering the following models:

Gas Type	Nat Gas	LPG
Marlborough	8610LUC	P8610LUC
Stockton	8617LUC	P8617LUC

Appliance Commissioning Checklist3

User Instructions4

Installation Instructions9

Technical Specifications 9

Site Requirements..... 11

Installation 13

Commissioning 18

Servicing Instructions.....19

Fault Finding..... 19

How to Replace Parts21

Basic Spare Parts List.....26

Service Records29




If you have purchased your stove or fire from an authorised stockist within our Expert Retailer Network, then automatically your product will carry a 2 year warranty as standard. The 2 year warranty can be further extended to a total warranty period of 5 years by registering your Gazco Stove or Fireplace within one month of the later of the purchase date or installation date. Accordingly, the start date for the warranty period is the date of purchase. During the registration process, the Expert Retailer details will be required for your Extended Warranty to be activated. Any product purchased outside of our Expert Retailer Network will carry a standard 12 month, non-extendable warranty.

It is a condition of the Extended Warranty that the installation complies with the relevant Building Regulations and is carried out by a suitably trained and qualified individual (GasSafe in the UK or equivalent in other countries) with the certificate of installation and the Commissioning Report on Page 3 completed and retained by the end user.

Full terms and conditions are detailed in the Warranty Statement on the Gazco website www.gazco.com. In the event of any conflict of information the wording on the website shall prevail.

Important Note: Should any problems be experienced with your product, claims must first be submitted to the Expert Retailer where the appliance was purchased from who will offer immediate assistance or contact Gazco on your behalf.



It is a requirement of the Building Regulations 2010 that the installation of this appliance is notified to the Local Authority. It is the responsibility of the GasSafe registered installer to carry out this notification to the Local Authority via the GasSafe register Competent Persons Scheme in England and Wales (different rules apply in Scotland and Northern Ireland).

When the installation has been notified, GasSafe will send a Building Regulations Compliance Certificate to you containing details of the work completed. Please ensure that the person responsible for the installation of this appliance completes this notification and records it in the Appliance Commissioning Checklist on page 3.

IT IS YOUR RESPONSIBILITY TO COMPLY WITH THE BUILDING REGULATIONS AND BE ABLE TO PRODUCE THIS CERTIFICATE SHOULD IT BE REQUIRED IN THE FUTURE.

Appliance Commissioning Checklist

To assist us in any guarantee claim please complete the following information:-

IMPORTANT NOTICE

Explain the operation of the appliance to the end user, hand the completed instructions to them for safe keeping, as the information will be required when making any guaranteed claims.

FLUE CHECK	PASS	FAIL	
1. Flue Is correct for appliance			
2. Flue flow Test			
3. Spillage Test			
GAS CHECK			
1. Gas soundness & let by test			
2. Standing gas pressure	mb		
3. Appliance working pressure (on High Setting) NB All other gas appliances must be operating on full	mb		
4. Gas rate	m ³ /h		
5. Does Ventilation meet appliance requirements			
6. Have controls been upgraded (Upgradeable models only)	8455 Standard	YES	NO
	8456 Programmable Thermostatic and Timer	YES	NO
SAFETY CHECK			
1. Glass checked to ensure no damage, scratches, scores or cracks.			
2. Door secured correctly and all nuts replaced			
BUILDING CONTROL NOTIFICATION	YES	NO	
1. Installer notified GasSafe/Local Authority of installation via Competent Persons Scheme?			

RETAILER AND INSTALLER INFORMATION

Retailer	Installation Company
.....
.....
Contact No.	Engineer
Date of Purchase	Contact No.
Model No.	GasSafe Reg No.
Serial No.	Date of Installation
Gas Type	

User Instructions

Welcome

Congratulations on purchasing your Marlborough/Stockton stove, if installed correctly Gazco hope it will give you many years of warmth and pleasure for which it was designed.

The purpose of this manual is to familiarise you with your appliance, and give guidelines for its installation, operation and maintenance. If, after reading, you need further information, please do not hesitate to contact your Gazco retailer.

WARNING



In the event of a gas escape or if you can smell gas, please take the following steps:

- **Immediately turn off the gas supply at the meter/emergency control valve**
- **Extinguish all sources of ignition**
- **Do not smoke**
- **Do not operate any electrical light or power switches (On or Off)**
- **Ventilate the building(s) by opening doors and windows**
- **Ensure access to the premises can be made**

Please report the incident immediately to the National Gas Emergency Service Call Centre on 0800 111 999 (England, Scotland and Wales) , 0800 002 001 (N. Ireland) or in the case of LPG, the gas supplier whose details can be found on the bulk storage vessel or cylinder.

The gas supply must not be used until remedial action has been taken to correct the defect and the installation has been recommissioned by a competent person.

1. General

- 1.1 Installation and servicing must only be carried out by a competent person whose name appears on the GasSafe register. To ensure the engineer is registered with GasSafe they should possess an ID Card carrying the following logo:

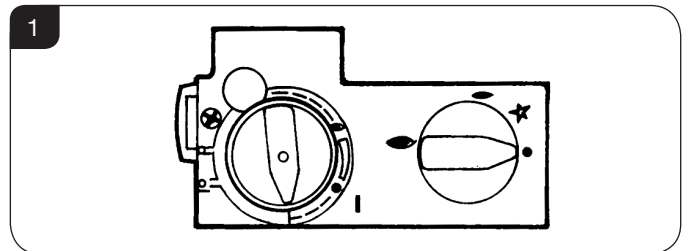


- 1.2 In all correspondence, please quote the appliance type and serial number which can be found on the data badge located at the rear of the appliance or on the Commissioning Checklist on Page 3.

- 1.3 **Do not** place curtains above the appliance: You must have 300mm (1') clearance between the appliance and any curtains at either side.
- 1.4 The manufacturer considers the full outer casing of this appliance to be a working surface and it will become hot whilst in operation. A suitable guard is recommended to protect young children, the aged and the infirm.
- 1.5 No furnishings or other objects should be placed within 1 metre of the front of the appliance.
- 1.6 If a shelf is fitted, a distance of 225mm above the appliance is required.
- 1.7 Do not attempt to burn rubbish in this appliance.
- 1.8 This appliance must only be operated with the door secured firmly in position. If any cracks appear in the glass the appliance must not be used until the glass panel is replaced.
- 1.9 This product is guaranteed for 5 years from the date of installation, as set out in the terms and conditions of sale between Gazco and your local Gazco retailer. Please consult with your local Gazco retailer if you have any questions. In all correspondence always quote the Model Number and Serial Number.

2. Operating the Appliance

- 2.1 The control valve is at the foot on the right-hand side of the appliance. It has two controls, see Diagram 1:
1. The right-hand knob controls the pilot ignition.
 2. The left-hand knob controls the main burner.



- 2.2 Refer to separate instructions if your appliance is upgraded to include battery remote control. The instructions below apply whether or not you have the remote upgrade.

Lighting the Pilot

- 2.3 To start the left-hand and right-hand control knobs must both point to off (●):
- 2.4 Press in the right-hand control knob and rotate anti-clockwise until a click is heard. Continue to press in. The knob points to the pilot (←).

The pilot is lit.

User Instructions

- 2.5 Keep the knob depressed for 10 seconds before releasing. The pilot remains lit.

Repeat the above steps if the pilot does not stay lit.

NOTE: If the pilot goes out, the Interlock system prevents you lighting again for a short period.

- 2.6 If, after repeating the above steps the pilot does not light, contact your Retailer or Installer.
- 2.7 Turn the right-hand knob to the left to main burner setting (☞).

Adjusting the Flame height

- 2.8 You can now adjust the flame height and temperature using the left-hand control knob.
- 2.9 Turn the left-hand knob anti-clockwise to increase the flame height.
- 2.10 Turn clockwise to decrease the height.

i **IMPORTANT: YELLOW FLAMES TYPICALLY APPEAR WHEN THE APPLIANCE HAS REACHED NORMAL OPERATING TEMPERATURE. THIS CAN TAKE UP TO 30 MINUTES.**

! **WARNING: IF THE APPLIANCE FAILS TO LIGHT OR BECOMES EXTINGUISHED IN USE, WAIT 3 MINUTES BEFORE ATTEMPTING TO RELIGHT.**

3. Turning OFF the Appliance

- 3.1 To turn the main burner off turn the left-hand knob until it points to off (●). Just the pilot remains lit.
- 3.2 Press in and turn the right-hand knob until it points to off (●). The pilot goes out.

4. Upgrading the Appliance

- 4.1 The appliance is fitted with a control valve that can easily be upgraded to battery powered remote control. There are two versions of this control which can be obtained through your local Gazco retailer. There is no requirement for this upgrade to be carried out by an approved GasSafe engineer. However Gazco recommend that this task is undertaken by a suitably competent person.
- 4.2 This upgrade can be fitted before or after installation but if side clearances are limited then it will be easier to upgrade the appliance before installation. Full instructions are included with the kit.

Standard Remote Control (PART NUMBER 8455)

- 4.3 This remote control can control the gas appliance after the pilot has been lit. It can turn the main burner on and regulate it from low through to high and back again. It can turn the main burner off leaving the pilot burning.

Thermostatic and Timer Remote Control (PART NUMBER 8456)

- 4.4 This remote control can control the gas appliance after the pilot has been lit.

MANUAL MODE

Can be used to turn the main burner on and manually regulate it from low through to high and back again. It can also be used to turn the main burner off leaving the pilot burning.

AUTO MODE

Will automatically regulate the room to a pre-set temperature.

TIMER MODE

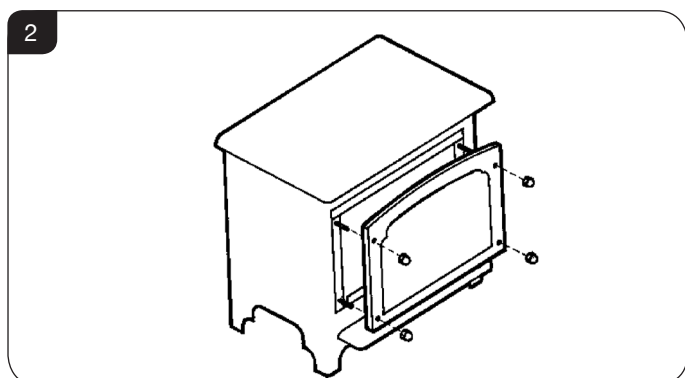
Will turn the appliance on and off according to a pre-set programme and automatically regulate the room temperature during the two on periods.

5. Cleaning the Appliance

! **WARNING: NEVER CLEAN THE APPLIANCE WHILE IT'S HOT. THE APPLIANCE STAYS HOT FOR A LONG TIME AFTER SHUTDOWN.**

IMPORTANT: THE OUTER PANNELLING AND DOOR OF THE APPLIANCE IS MADE FROM CAST IRON OR STEEL. TAKE CARE WHEN INSTALLING, REMOVING AND STORING TO AVOID DAMAGING THE OUTER CASING, HEARTH OR DOOR.

- 5.1 Remove the 4 dome nuts retaining the door, see Diagram 2. Place carefully to one side.



- 5.2 Carefully remove the ceramic fuel bed components and set aside. Protect the floor coverings and follow the advice given in Section 6.
- 5.3 The logs should not require cleaning. Do not use a vacuum cleaner or brush to clean the logs, any large pieces of debris may be removed by hand.
- 5.4 Ensure any debris is removed from the burner ports.
- 5.5 Replace the ceramics, see Section 7.

User Instructions

- 5.6 Ensure that the rope seal on the back of the door is intact, locate the door on the 4 studs and slide back to the firebox. Secure in place using the 4 black nuts. Do not over tighten the nuts, see Diagram 2.

NEVER OPERATE THE APPLIANCE WHEN THE DOOR IS REMOVED, OR THE GLASS IS BROKEN.

- 5.7 Replace ALL of the securing nuts ensuring that a nut is present on all fixing studs.

! UNDER NO CIRCUMSTANCES SHOULD THE APPLIANCE BE USED IF ANY OF THE DOOR RETAINING NUTS ARE LOOSE OR MISSING.

- 5.8 Use a damp cloth to clean the outer casing of the appliance.

6. Arrangement of Fuel Bed

Advice on handling and disposal of fire ceramics

! The fuel effect and side panels in this appliance are made from Refractory Ceramic Fibre (RCF), a material which is commonly used for this application.

Protective clothing is not required when handling these articles, but we recommend you follow normal hygiene rules of not smoking, eating or drinking in the work area and always wash your hands before eating or drinking.

To ensure that the release of RCF fibres are kept to a minimum, during installation and servicing a HEPA filtered vacuum is recommended to remove any dust accumulated in and around the appliance before and after working on it. When servicing the appliance it is recommended that the replaced items are not broken up, but are sealed within heavy duty polythene bags and labelled as RCF waste.

RCF waste is classed as stable, non-reactive hazardous waste and may be disposed of at a licensed landfill site.

Excessive exposure to these materials may cause temporary irritation to eyes, skin and respiratory tract; wash hands thoroughly after handling the material.

7. Log Layout

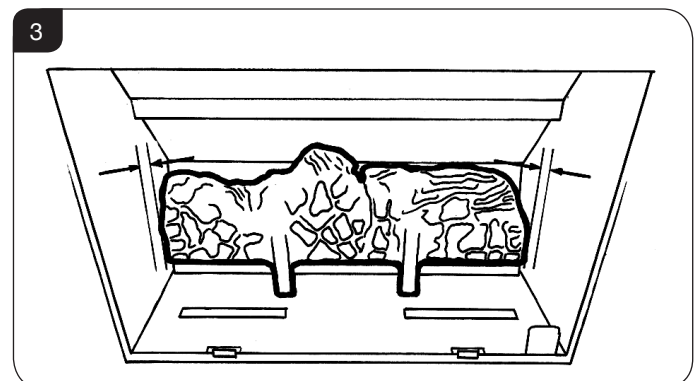
- 7.1 Remove the cast iron door, see Section 5. Remove the log guard by lifting vertically.

! WARNING: NEVER CLEAN THE APPLIANCE WHILE IT'S HOT. THE APPLIANCE STAYS HOT FOR A LONG TIME AFTER SHUTDOWN.

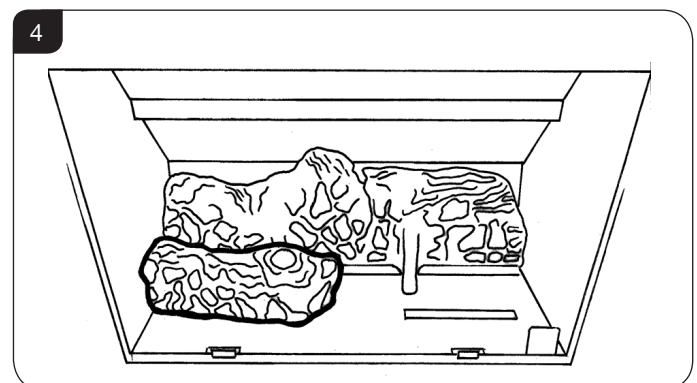
IMPORTANT: THE OUTER PANNELLING AND DOOR OF THE APPLIANCE IS MADE FROM CAST IRON OR STEEL. TAKE CARE WHEN INSTALLING, REMOVING AND STORING TO AVOID DAMAGING THE OUTER CASING, HEARTH OR DOOR.

The fuel bed consists of 5 logs and 2 ash panels. The logs have letters A,B,C,D and E moulded into them for identification.

- 7.2 Take the rear log A and place it up against the rear of the fire sitting on the two flat ledges of the burner. The two legs of the log should sit between the rear burner ports, see Diagram 3. Ensure there is an equal gap between each side of the log and the side of the firebox.

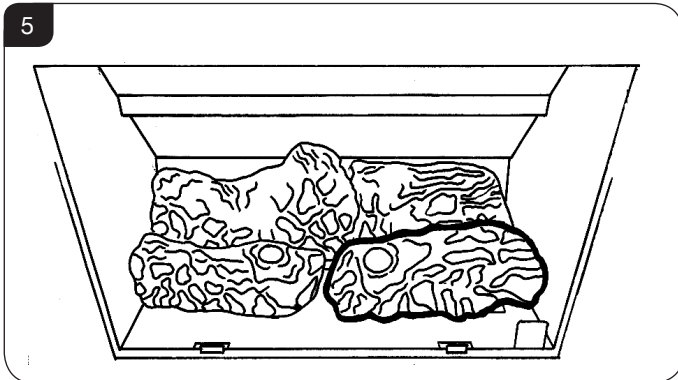


- 7.3 Place log B on the left hand side of the burner with the location bar on the underside of the log fully located in the long slot of the burner. Make sure the log is as far to the left as possible, see Diagram 4.

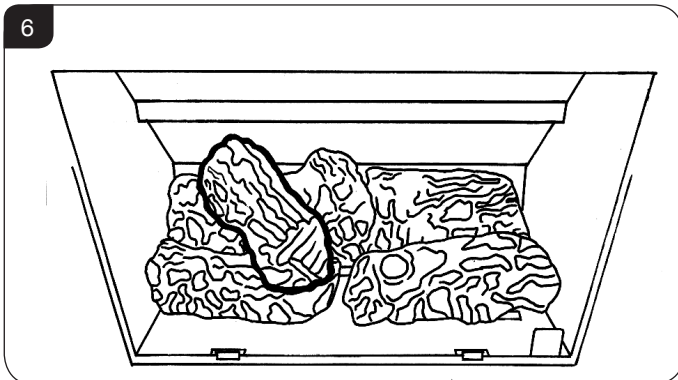


User Instructions

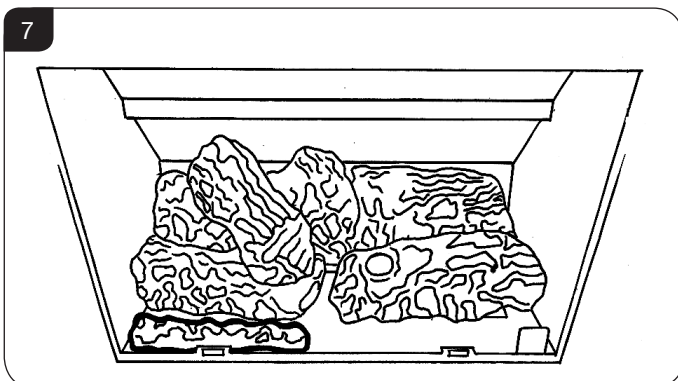
- 7.4 Place log C on the right hand side of the burner with the location bar on the underside of the log fully located in the long slot in the burner. Make sure the log is as far right as possible, see Diagram 5.



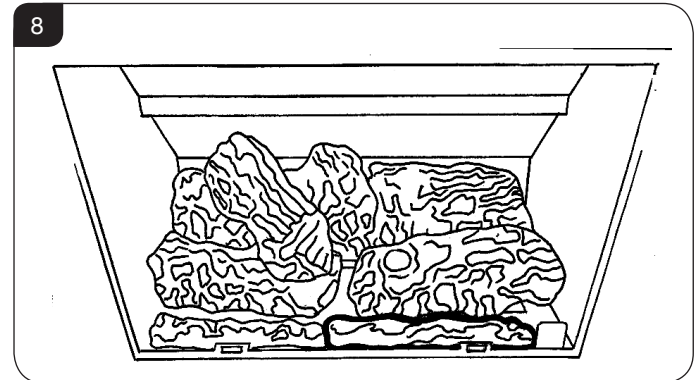
- 7.5 Place log D across from the rear log A to log B on the left-hand side. There are cut-outs in both logs for location, see Diagram 6.



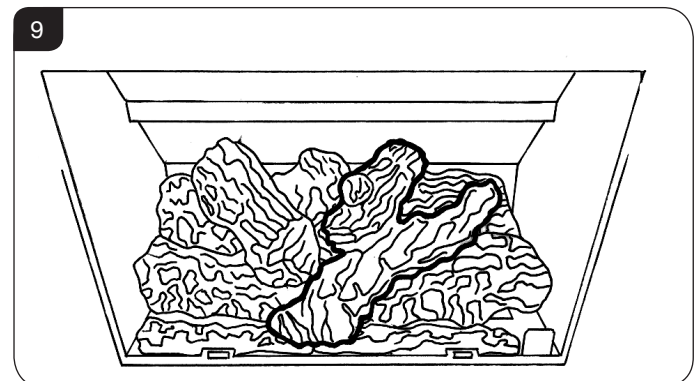
- 7.6 There are 2 ash panels which lay across the front of the burner skin. Place the panel with the flat edge facing the left side of the firebox. There are location holes on this log which fit over the screw holes of the burner skin.



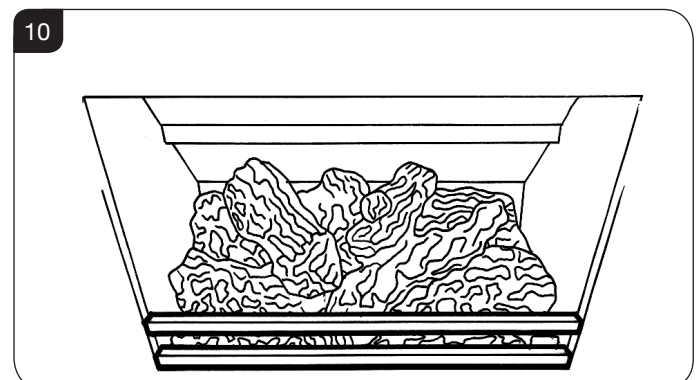
- 7.7 Place the second ash panel to the right of the first, with the pointed end of the panel fitting into the V shape. This panel should locate on the screw holes of the burner skin. Ensure that both logs are horizontal to the burner ports.



- 7.8 Place log E across from the rear of log A to log C on the right hand side. Again, there are cut-outs for location. The front of the log should sit on the front ash panels and should fit tight to log C, see Diagram 9.

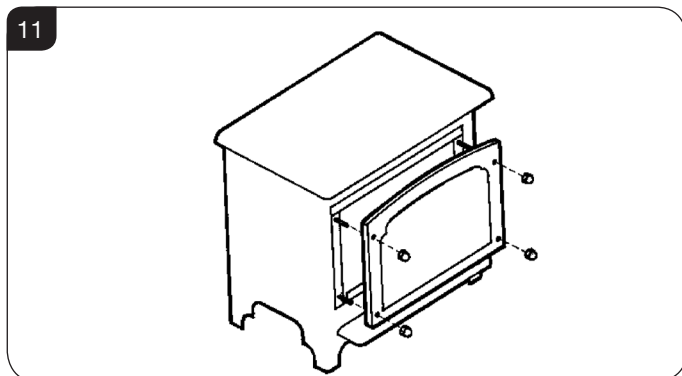


- 7.9 Carefully insert the log guard into the front panel of the firebox. Take care not to scrape/damage the logs. This log guard sits in 2 brackets. Ensure it is fully inserted, leaving approximately a 4 mm gap between the firebox ledge and the bottom of the log guard.



User Instructions

- 7.10 Ensure that the rope seal on the back of the door is intact, locate the door on the 4 studs and slide back to the firebox. Secure in place using the 4 dome nuts. Do not over tighten the nuts, see Diagram 11.



NEVER OPERATE THE APPLIANCE WHEN THE DOOR IS REMOVED, OR THE GLASS IS BROKEN.

- 7.11 Replace ALL of the securing nuts ensuring that a nut is present on all fixing studs.



UNDER NO CIRCUMSTANCES SHOULD THE APPLIANCE BE USED IF ANY OF THE DOOR RETAINING NUTS ARE LOOSE OR MISSING.

8. Flue Sure System

- 8.1 The appliance is fitted with the Gazco Flue Sure System, which will act to cut off the gas supply to the burners in the event of incorrect operation of the flue. If the system acts to cut off the gas supply, this indicates that there is insufficient flue pull. If this occurs a minimum of 10 minutes should be allowed before trying to relight. Continued operation of this safety device means there may be a serious problem with the flue system. A qualified GasSafe engineer should inspect this.

DO NOT USE THE APPLIANCE UNTIL AN ENGINEER SAYS IT IS SAFE TO DO SO.

9. Flame Failure Device

- 9.1 This is a safety feature incorporated on this appliance which automatically switches off the gas supply if the pilot goes out and fails to heat the thermocouple.

IF THIS OCCURS DO NOT ATTEMPT TO RELIGHT THE APPLIANCE FOR 3 MINUTES.

10. Running In

- 10.1 During initial use of a new Gazco appliance a strong odour will be encountered as various surface coatings become hot for the first time. Although these odours are harmless it is recommended that the appliance is operated on maximum for 4 to 8 hours in order to fully burn off these coatings. After this period the odours should then disappear.

If the odours persists, please contact your installer for advice.

- 10.2 During the first few hours of burning there may be discolouration of the flames. This will also disappear after a short period of use.

11. Servicing

- 11.1 The appliance must be serviced every 12 months by a qualified GasSafe Engineer. In all correspondence always quote the Model number and the Serial number which may be found on the Commissioning Checklist (Page 3).

12. Ventilation

- 12.1 Any purpose provided ventilation should be checked periodically to ensure that it is free from obstruction.

13. Installation Details

- 13.1 Your installer should have completed the commissioning sheet at the front of this book. This records the essential installation details of the appliance. In all correspondence always quote the Model number and Serial number.

14. Hot Surfaces

- 14.1 Parts of this appliance become hot during normal use. Regard all parts of the appliance as a working surface except the control area.
- 14.2 Provide a suitable fire guard to protect young children and the infirm.

Installation Instructions

Technical Specification

Covering the following models:

Gas Type	Nat Gas	LPG
Marlborough	8610LUC	P8610LUC
Stockton	8617LUC	P8617LUC

Model	Gas CAT.	Gas Type	Working Pressure	Aeration	Injector	Gas Rate m ³ /h	Input kW (Gross)		Country
							High	Low	
Marlborough	I ₂ H	Natural (G20)	20mbar	14.5mm Ø	375	0.628	6.6	3.6	GB, IE
	I ₃ P	Propane (G31)	37mbar	2 x 11.5mm Ø	165	0.241	6.4	3.6	GB, IE
Stockton	I ₂ H	Natural (G20)	20mbar	14.5mm Ø	375	0.628	6.6	3.6	GB, IE
	I ₃ P	Propane (G31)	37mbar	2 x 11.5mm Ø	165	0.241	6.4	3.6	GB, IE
Efficiency Class 2 - 82% / NOx Class 3									
Flue Outlet Size 127mm (5") ø									
Gas Inlet Connection Size 8mm ø									
Minimum flue specification T260 / N2 / O / D / 1									
Maximum flue temperature 180°C									



The net efficiency of this appliance has been measured as specified in EN613:2001 and the result after conversion to gross using the appropriate factor from Table E4 of SAP 2009 is 76%. The test data has been certified by Kiwa Nederland BV. The gross efficiency value may be used in the UK Government's Standard Assessment Procedure (SAP) for energy rating of dwellings.

Installation Instructions

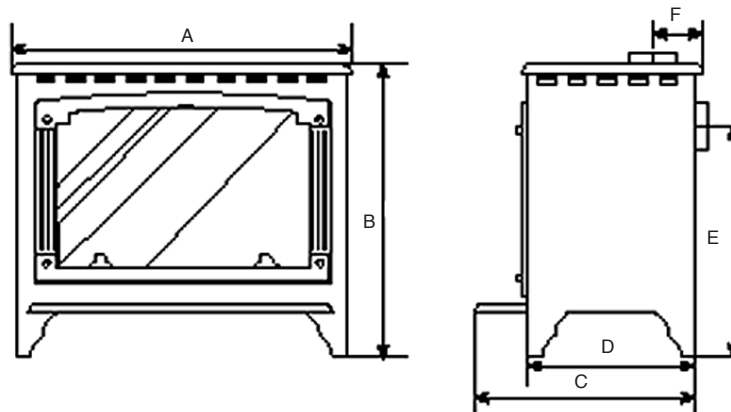
Technical Specification

This appliance has been certified for use in countries other than those stated. To install this appliance in these countries, it is essential to obtain the translated instructions and in some cases the appliance will require modification. Contact Gazco for further information.

PACKING CHECKLIST

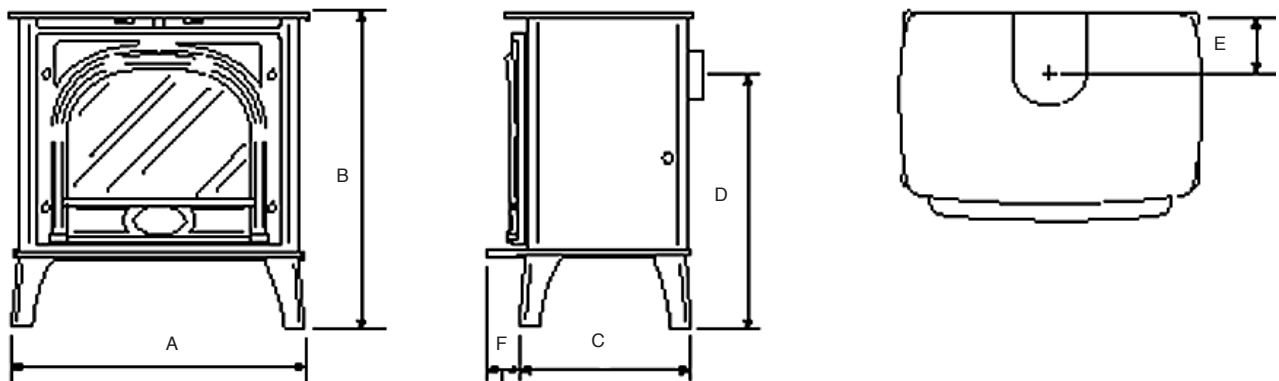
Qty Description	Fixing Kit containing:-
1 x Appliance	1 x Instruction manual
1 x Flue Blanking plate	2 X Wood screw
1 x Log Guard	2 x Rawplug
1 x Log set (5 logs)*	1 x Box Spanner
2 x Ash Panel (2 Sections)*	
*Packed in appliance	

Malborough



A	B	C	D	E	F
590	583	410	330	401	101

Stockton



A	B	C	D	E	F
579	618	345	436	102	66

Installation Instructions

Site Requirements

1. Flue & Chimney Requirements

- 1.1 The chimney or flue system must comply with the rules in force, and must be a minimum of 127mm in diameter. (5").
- 1.2 The minimum flue height for the appliance must be 3 metres (10ft). Any horizontal flue run from the rear outlet must not exceed 100mm from the back of the appliance.
- 1.3 The chimney or flue must be free from any obstruction. Any damper plates must be removed or secured in the fully open position, and no restrictor plates fitted.
- 1.4 The chimney must be swept prior to the installation, but it need not be swept if it can be seen the chimney is clean and unobstructed throughout its entire length.
- 1.5 **Note: If it is intended to fit the appliance into an existing brick- built chimney without a closure plate*, a 5" (127mm) liner must be used.**
Larger lined flues can work, but in some instances could cause cold start flue problems resulting in nuisance shutdown. Lined flues above 7" (175mm) are not recommended.
- 1.6 The European chimney standards now describe chimneys and flues by their temperature, pressure and resistance to corrosion, condensation and fire. To identify the correct flue system, the minimum flue specification is shown in the Technical Specification. Existing chimneys are not covered by this system.
- 1.7 ***Closure Plate Installation**
This appliance can be installed into a standard fireplace opening with the optional closure plate and spigot extension made for the appliance. **Note the appliance and plate will require removing, when carrying out the annual service.** (Not suitable for precast letterbox flues).

2. Gas Supply

THIS APPLIANCE IS INTENDED FOR USE ON A GAS INSTALLATION WITH A GOVERNED METER.

- 2.1 Before installation, ensure that the local distribution conditions (identification of the type of gas and pressure) and the adjustment of the appliance are compatible.
- 2.2 Ensure the gas supply delivers the required amount of gas and is in accordance with the rules in force.
- 2.3 Soft copper tubing and soft soldered joints can be used but must not be closer than 50mm to the base of the tray.
- 2.4 A means of isolating the gas supply to the appliance must be provided independent of any appliance control.
- 2.5 All supply gas pipes must be purged of any debris that may have entered prior to connection to the appliance.
- 2.6 The gas supply must be installed in a way that does not restrict the removal of the appliance for servicing and inspection.

3. Ventilation

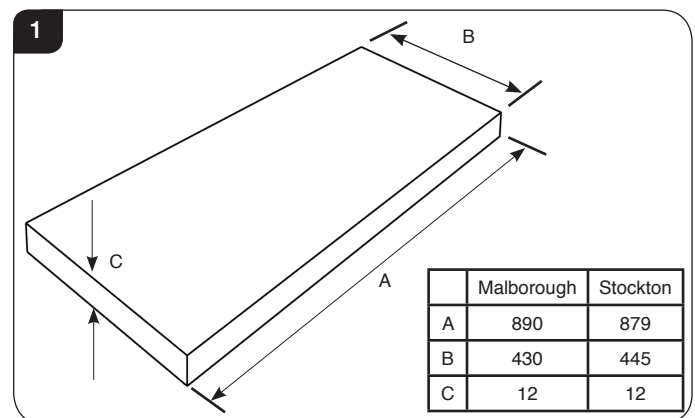
IMPORTANT: Ensure any national ventilation requirements are taken into account during installation of the appliance.

- 3.1 This appliance has a nominal input not exceeding 7.0kw and therefore, does not normally require any additional permanent ventilation.
- 3.2 If however, spillage is detected when commissioning the appliance, there may be insufficient natural ventilation and additional ventilation may be required.

FOR THE REPUBLIC OF IRELAND REFER TO THE RULES IN FORCE FOR VENTILATION REQUIREMENTS.

4. Appliance Location

- 4.1 Building Regulations state this appliance must stand on a non-combustible hearth that is at least 12mm thick and projects 50mm minimum from the base of the appliance in all directions, however Gazco recommend the hearth extends to the following dimensions, see Diagram 1.



- 4.2 Do not install in a room that contains a bath or shower.

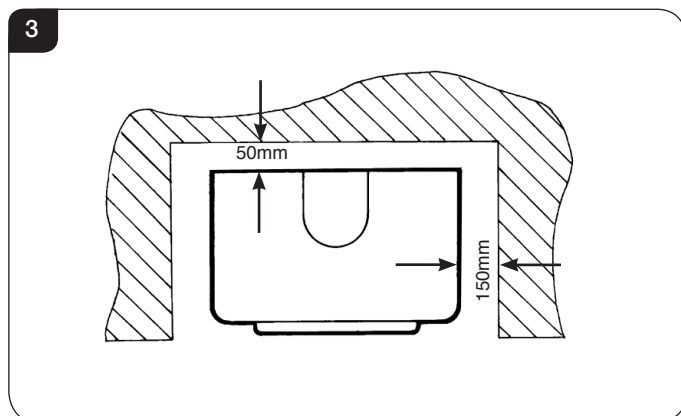
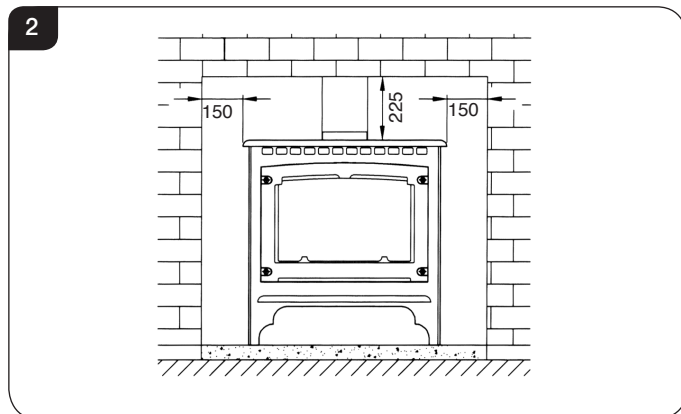
Installation Instructions

Site Requirements

MINIMUM CLEARANCE

- 4.3 The appliance is not suitable for installation against a combustible wall. All combustible materials must be removed from behind the appliance.
- 4.4 Ensure that all minimum clearances to combustible materials are complied with, see Diagrams 2 and 3.

The specified clearances provide the minimum distance to combustible materials. If the appliance is intended to be installed into a non-combustible opening the clearance to the **sides and above** the appliance can be reduced. However, it is recommended that the specified clearances are maintained irrespective of the materials used in the construction of the opening to allow adequate air flow and access to controls. **The clearance at the rear of the appliance must always be a minimum of 50mm.**



- 4.5 In a non-combustible recess be careful to allow enough clearance at the sides and rear of the appliance to perform spillage tests and reach the controls.

Installation Instructions

1. Safety Precautions

- 1.1 For your own and other's safety, you must install this appliance according to local and national codes of practice. Failure to install the appliance correctly could lead to prosecution. **Read these instructions before installing and using this appliance.**
- 1.2 These instructions must be left intact with the user.
- 1.3 Do not attempt to burn rubbish on this appliance.
- 1.4 Keep all plastic bags away from young children.
- 1.5 Do not place any object on or near to the appliance and allow adequate clearance above the appliance.

IF THE APPLIANCE IS EXTINGUISHED OR GOES OUT IN USE, WAIT 3 MINUTES BEFORE ATTEMPTING TO RELIGHT THE APPLIANCE.

- 1.6 The appliance is fitted with the Gazco Flue Sure System, which will act to cut off the gas supply to the burners in the event of incorrect operation of the flue. If the system acts to cut off the gas supply, this indicates that there is insufficient flue pull. If this occurs a minimum of 10 minutes should be allowed before trying to relight. Continued operation of this safety device means there may be a serious problem with the flue system. A qualified GasSafe engineer should inspect this.
- 1.7 Do not alter or tamper with the Flue Sure System. Use only genuine Gazco replacement parts when servicing the system - refer to the Servicing Section, **Replacing Parts**.

DO NOT USE THE APPLIANCE UNTIL AN ENGINEER SAYS IT IS SAFE TO DO SO.



IMPORTANT: REFER TO DATA BADGE AND TECHNICAL SPECIFICATION AT THE FRONT OF THE MANUAL TO ENSURE THE APPLIANCE IS CORRECTLY ADJUSTED FOR THE GAS TYPE AND CATEGORY APPLICABLE IN THE COUNTRY OF USE.

FOR DETAILS OF CHANGING BETWEEN GAS TYPES REFER TO SERVICING, SECTION 12, REPLACING PARTS.

Unpacking

- 1.8 Remove the appliance from its packaging, and check that it is complete and undamaged.

2. Upgrading the Appliance

- 2.1 The appliance is fitted with a control valve that can easily be upgraded to battery powered remote control. There are two versions of this control which can be obtained through your local Gazco retailer. There is no requirement for this upgrade to be carried out by an approved GasSafe engineer. However Gazco recommend that this task is undertaken by a suitably competent person.
- 2.2 This upgrade can be fitted before or after installation but if side clearances are limited then it will be easier to upgrade the appliance before installation. Full instructions are included with the kit.

Standard Remote Control (PART NUMBER 8455)

- 2.3 This remote control can control the gas appliance after the pilot has been lit. It can turn the main burner on and regulate it from low through to high and back again. It can turn the main burner off leaving the pilot burning.

Thermostatic and Timer Remote Control (PART NUMBER 8456)

- 2.4 This remote control can control the gas appliance after the pilot has been lit.

MANUAL MODE

Can be used to turn the main burner on and manually regulate it from low through to high and back again. It can also be used to turn the main burner off leaving the pilot burning.

AUTO MODE

Will automatically regulate the room to a pre-set temperature.

TIMER MODE

Will turn the appliance on and off according to a pre-set programme and automatically regulate the room temperature during the two on periods.

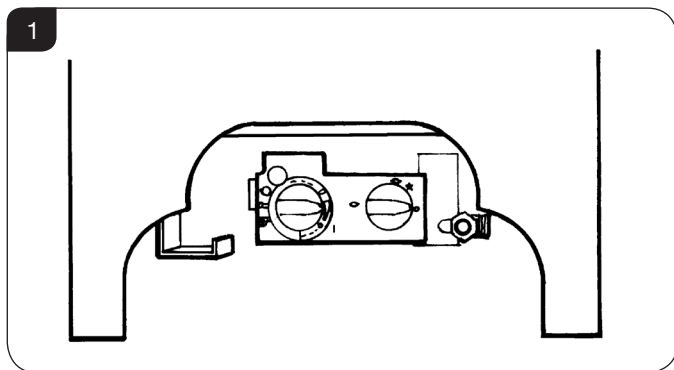
3. Installation of the Appliance

FLUE PIPE INSTALLATION

- 3.1 Decide whether to use top or rear flue exit. The appliance is factory built for rear flue exit but it can be changed to top exit by swapping the flue spigot and blanking plate located on the appliance.
- 3.2 Position the appliance ensuring all appropriate clearances are observed.
- 3.3 Using a pencil, mark the position of the holes in the fixing brackets attached to the inside of the rear legs.
- 3.4 Remove the appliance and drill the holes using a number 12 masonry drill.

Installation Instructions

- 3.5 Push wall plugs into the holes and insert the wood screws until the head is approximately 3mm proud of the hearth.
- 3.6 Place the appliance in position over the bracket so that the screw heads locate in the large part of the slot.
- 3.7 Push the appliance back so that the screw heads engage fully into the narrow part of the slot, tighten the screws.
- 3.8 Having run the gas supply to the appliance **PURGE THE SUPPLY PIPE.**
This is essential to expel any debris that can block the gas controls.
- 3.9 Connect the gas supply to the 8mm compression elbow at the right-hand rear corner of the appliance
There is a cutout in the right-hand rear leg to enable a straight connection to the rear of the appliance, see Diagram 1. A gas soundness check must be completed up to the gas inlet connection.



- 3.10 The flue system may now be connected to the appliance.
- 3.11 Ensure all joints are sealed with a fire resistant cement and use a self-tapping screw at the flue spigot joint.

4. Gas Soundness Pressure Check

- 4.1 Connect a suitable pressure gauge to the test point located on the inlet fitting and turn the gas supply on. Light the appliance and check all gas joints for possible leaks. Turn the appliance to maximum and check that the supply pressure is as stated on the databadge. Turn the gas off and replace the test point screw, turn the gas on and check the test point for leaks.

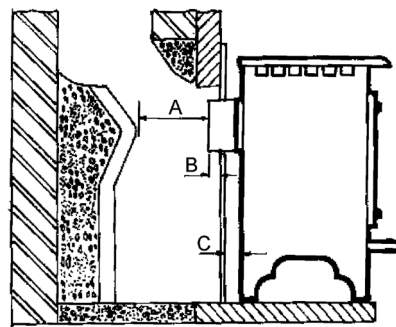
5. Closure Plate Installation



NOTE: This appliance is also suitable for installation onto a fireplace opening. The following method illustrates how this can be achieved with the aid of the optional closure plate and spigot extension. Ensure the fireplace dimensions are as shown in Diagram 2.

- 5.1 Place the closure plate against the fireplace opening and ensure there is sufficient overlap around the perimeter to allow a fume tight seal to be made. Cut straight across the top of the plate if trimming is required.
- 5.2 Seal the plate to the opening and the hearth with a suitable heat resisting material. Ensure that any relief opening at the bottom of the plate is left unobstructed.
- 5.3 Secure the spigot extension to the engine assembly and seal with heat resisting tape or similar. Position the engine assembly ensuring 50mm rear clearance is maintained, see Diagram 2 and then proceed with the installation as detailed in 3.2 onwards.

2



A = 50mm min
B = 15mm min
C = 50mm min

6. Removing the Door

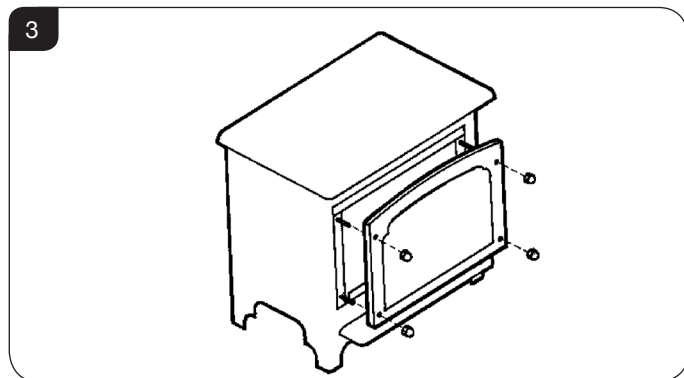


IMPORTANT: THE OUTER PANNELLING AND DOOR OF THE APPLIANCE IS MADE FROM CAST IRON OR STEEL. TAKE CARE WHEN INSTALLING, REMOVING AND STORING TO AVOID DAMAGING THE OUTER CASING, HEARTH OR DOOR.

The ceramic components are located behind the door.

Installation Instructions

- 6.1 Remove the 4 dome nuts retaining the door, see Diagram 3. Take care when removing the door as it is heavy. Place carefully to one side.



- 6.2 Remove the box and the protective packaging from the components.

7. Arrangement of Fuel Bed

Advice on handling and disposal of fire ceramics



The fuel effect and side panels in this appliance are made from Refractory Ceramic Fibre (RCF), a material which is commonly used for this application.

Protective clothing is not required when handling these articles, but we recommend you follow normal hygiene rules of not smoking, eating or drinking in the work area and always wash your hands before eating or drinking.

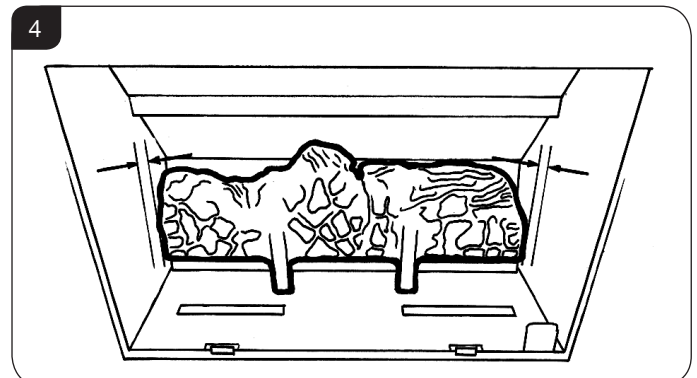
To ensure that the release of RCF fibres are kept to a minimum, during installation and servicing a HEPA filtered vacuum is recommended to remove any dust accumulated in and around the appliance before and after working on it. When servicing the appliance it is recommended that the replaced items are not broken up, but are sealed within heavy duty polythene bags and labelled as RCF waste.

RCF waste is classed as stable, non-reactive hazardous waste and may be disposed of at a licensed landfill site.

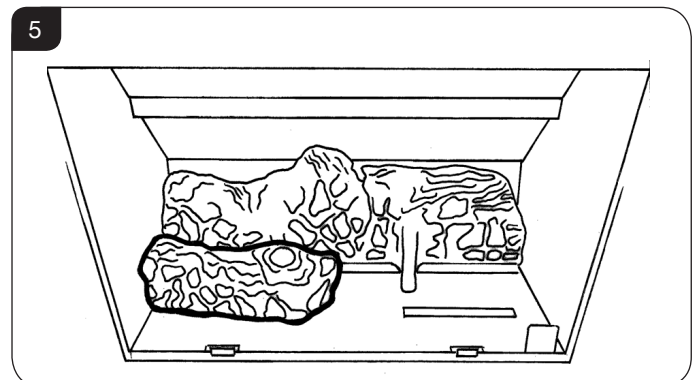
Excessive exposure to these materials may cause temporary irritation to eyes, skin and respiratory tract; wash hands thoroughly after handling the material.

8. Log Layout

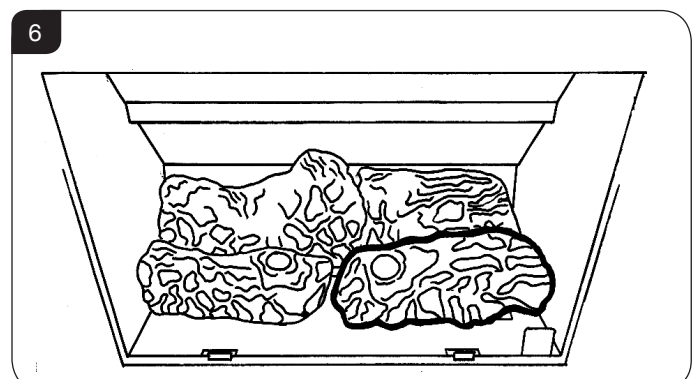
- 8.1 The fuel bed consists of 5 logs and 2 ash panels. The logs have letters A,B,C,D and E moulded into them for identification.
- 8.2 Take the rear log A and place it up against the rear of the fire sitting on the two flat ledges of the burner. The two legs of the log should sit between the rear burner ports, see Diagram 4. Ensure there is an equal gap between each side of the log and the side of the firebox.



- 8.3 Place log B on the left hand side of the burner with the location bar on the underside of the log fully located in the long slot of the burner. Make sure the log is as far to the left as possible, see Diagram 5.

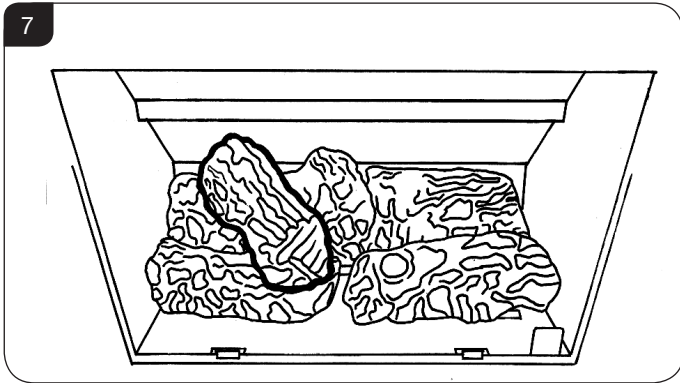


- 8.4 Place log C on the right hand side of the burner with the location bar on the underside of the log fully located in the long slot in the burner. Make sure the log is as far right as possible, see Diagram 6.

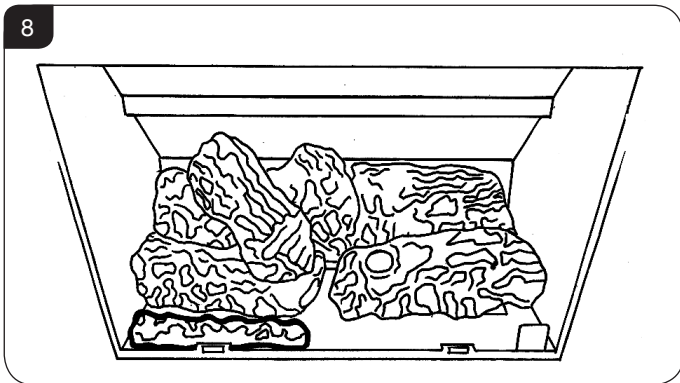


Installation Instructions

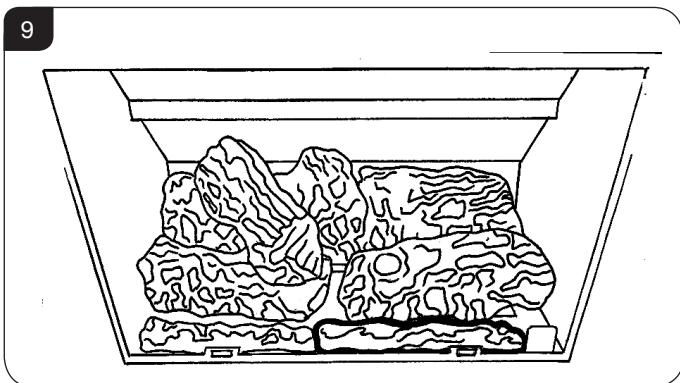
- 8.5 Place log D across from the rear log A to log B on the left-hand side. There are cut-outs in both logs for location, see Diagram 7.



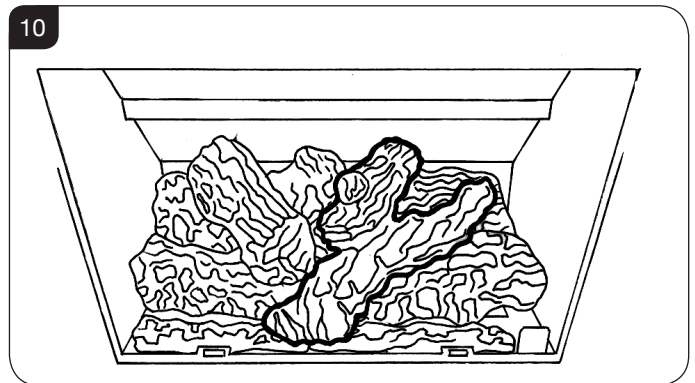
- 8.6 There are 2 ash panels which lay across the front of the burner skin. Place the panel with the flat edge facing the left side of the firebox. There are location holes on this log which fit over the screw holes of the burner skin.



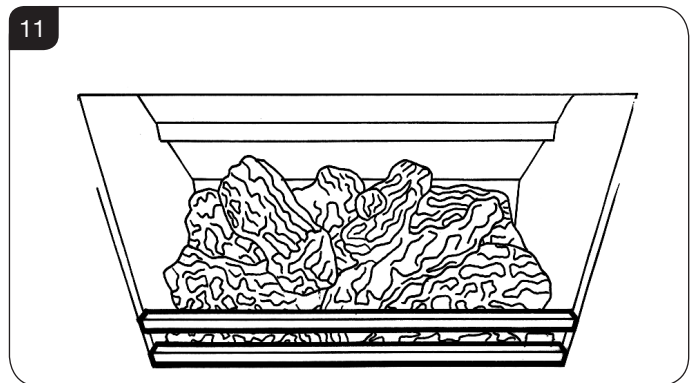
- 8.7 Place the second ash panel to the right of the first, with the pointed end of the panel fitting into the V shape. This panel should locate on the screw holes of the burner skin. Ensure that both logs are horizontal to the burner ports.



- 8.8 Place log E across from the rear of log A to log C on the right hand side. Again, there are cut-outs for location. The front of the log should sit on the front ash panels and should fit tight to log C, see Diagram 10.



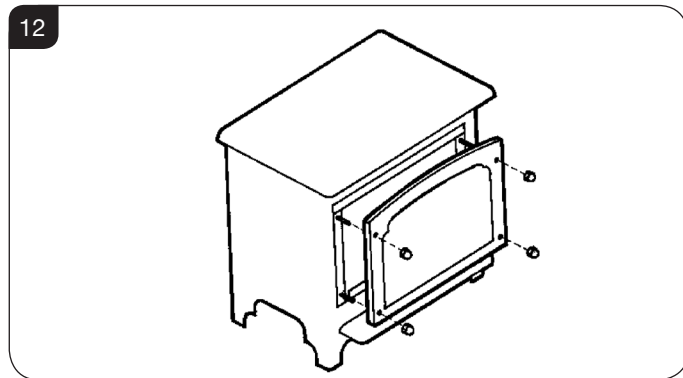
- 8.9 Carefully insert the log guard into the front panel of the firebox. Take care not to scrape/damage the logs. This log guard sits in 2 brackets. Ensure it is fully inserted, leaving approximately a 4 mm gap between the firebox ledge and the bottom of the log guard.



Installation Instructions

9. Replacing the Door

- 9.1 Ensure that the rope seal on the back of the door is intact, locate the door on the 4 studs and slide back to the firebox. Secure in place using the 4 dome nuts. Do not over tighten the nuts, see Diagram 12.



NEVER OPERATE THE APPLIANCE WHEN THE DOOR IS REMOVED, OR THE GLASS IS BROKEN.

- 9.2 Replace ALL of the securing nuts ensuring that a nut is present on all fixing studs.

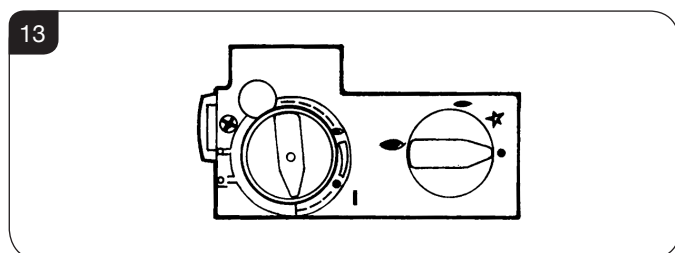


UNDER NO CIRCUMSTANCES SHOULD THE APPLIANCE BE USED IF ANY OF THE DOOR RETAINING NUTS ARE LOOSE OR MISSING.

10. Operating the Appliance

- 10.1 The control valve is at the foot on the right-hand side of the appliance. It has two controls, see Diagram 13:

1. The right-hand knob controls the pilot ignition.
2. The left-hand knob controls the main burner.



- 10.2 Refer to separate instructions if your appliance is upgraded to include battery remote control. The instructions below apply whether or not you have the remote upgrade.

Lighting the Pilot

- 10.3 To start the left-hand and right-hand control knobs must both point to off (●):
- 10.4 Press in the right-hand control knob and rotate anti-clockwise until a click is heard. Continue to press in. The knob points to the pilot (←).

The pilot is lit.

- 10.5 Keep the knob depressed for 10 seconds before releasing. The pilot remains lit.

Repeat the above steps if the pilot does not stay lit.

NOTE: If the pilot goes out, the Interlock system prevents you lighting again for a short period.

- 10.6 If, after repeating the above steps the pilot does not light, contact your Retailer or Installer.

- 10.7 Turn the right-hand knob to the left to main burner setting (↔).

Adjusting the Flame height

- 10.8 You can now adjust the flame height and temperature using the left-hand control knob.

- 10.9 Turn the left-hand knob anti-clockwise to increase the flame height.

- 10.10 Turn clockwise to decrease the height.



IMPORTANT: YELLOW FLAMES TYPICALLY APPEAR WHEN THE APPLIANCE HAS REACHED NORMAL OPERATING TEMPERATURE. THIS CAN TAKE UP TO 30 MINUTES.

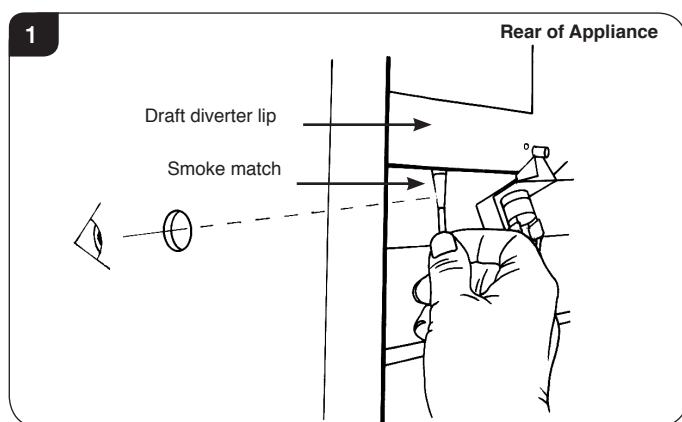


WARNING: IF THE APPLIANCE FAILS TO LIGHT OR BECOMES EXTINGUISHED IN USE, WAIT 3 MINUTES BEFORE ATTEMPTING TO RELIGHT.

Commissioning

1. Commissioning

- 1.1 Close all doors and windows in the room.
- 1.2 Ignite the appliance and operate on maximum for 10 minutes.
- 1.3 Remove the plastic sight plug from the right-hand side of the appliance.
- 1.4 Position a lighted smoke match just inside the draught diverter opening at the rear of the appliance.
- 1.5 Check that all smoke is drawn into the opening by viewing through the sight hole, see Diagram 1.



- 1.6 If there is any doubt, run the appliance for a further 10 minutes, and repeat the test.
- 1.7 If there are any extractor fans in adjacent rooms, the test must be repeated with the fans running on maximum and interconnecting doors open.

IF SPILLAGE PERSISTS, DISCONNECT THE APPLIANCE AND SEEK EXPERT ADVICE.

- 1.8 Complete the Commissioning Checklist at the front of this manual covering:
 - Flue checks
 - Gas checks
 - Log layout - flame picture
- 1.9 Upon completion of the commissioning and testing of the installation and correct operation of the appliance, the installer must instruct the user how to operate the appliance.
- 1.10 Guide the user through the User Instructions paying particular attention to:
 - a) Regular servicing (Section 11 of the User Instructions).
 - b) Ventilation (Section 12 of the User Instructions) - point out the ventilation positions where applicable.
 - c) Hot surfaces (Section 14 of the User Instructions).

Servicing Instructions

Servicing/Fault Finding Charts

1. Servicing Requirements

IMPORTANT – The glass panel on this appliance should be checked for any signs of damage on the front face of the glass panel (scratches, scores, cracks or other surface defects). If damage is observed, the glass panel must be replaced and the appliance must not be used until a replacement is installed. Under no circumstances should the appliance be used if any damage is observed. Please isolate the appliance until a replacement glass panel has been obtained and installed. Replacement glass panels can be purchased from Gazco via the retailer from which the appliance was purchased or any other Gazco distributor.

This appliance must be serviced at least once a year by a competent person.

All tests must be carried out in accordance with the current GasSafe recommendations.

1.1 Before Testing:

- Conduct a gas soundness test for the property ensuring there are no leaks before servicing.
- Check the operation of the appliance before testing.

1.2 Special checks:

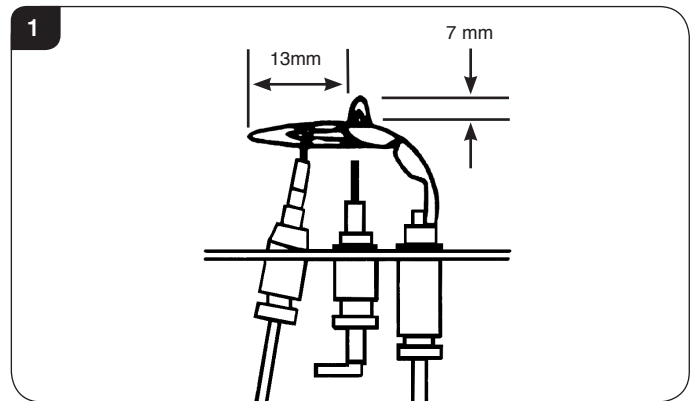
- Clean the burner using a vacuum cleaner with a soft brush attachment. Ensure all debris is removed from the burner ports.

- Clean any lint or fluff from the pilot - pay particular attention to the aeration holes of the pilot
- Clean away lint or fluff from under the burner.
- Check the spark gap on the pilot is correct, see Diagram 1.
- Check all the screws which secure the burner skins and tighten if they are loose.
- Ensure that the door is secured correctly and that all retaining nuts are in place.

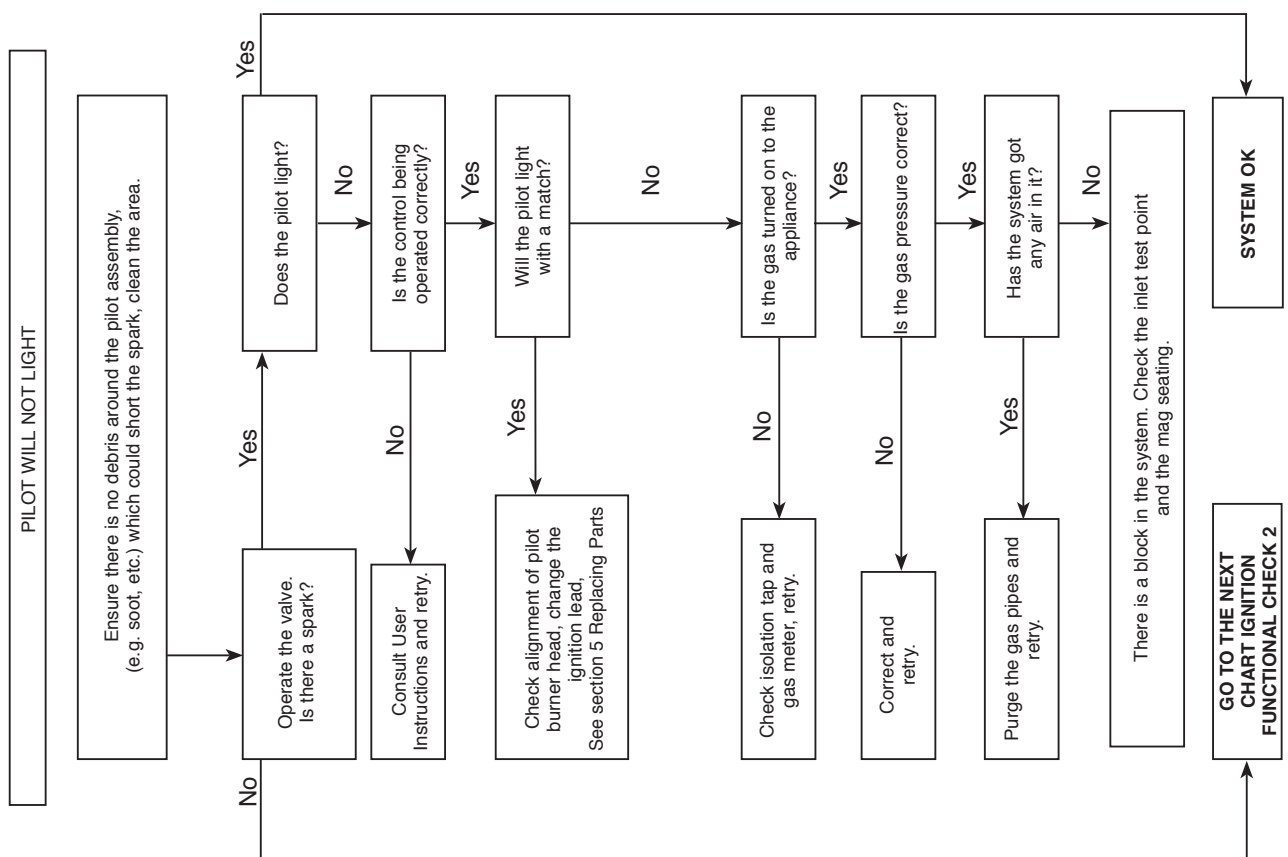
1.3 Correct any faults found during the initial test.

1.4 Re-commission the appliance in accordance with Commissioning Procedures.

1.5 Advise the customer of any remedial work undertaken.



IGNITION FUNCTIONAL CHECK 1



Servicing Instructions - Replacing Parts

1. General

- 1.1 All main components can be replaced without removing the appliance from its installation.
- 1.2 Ensure the appliance and surrounds are cool before servicing.

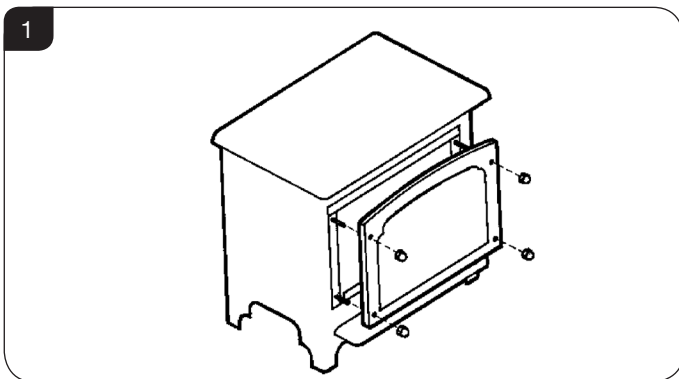
IT IS ESSENTIAL THAT THE GAS SUPPLY TO THE APPLIANCE IS TURNED OFF AT THE ISOLATION DEVICE BEFORE PROCEEDING FURTHER.

2. Removing the Door



IMPORTANT: THE OUTER PANNELLING AND DOOR OF THE APPLIANCE IS MADE FROM CAST IRON OR STEEL. TAKE CARE WHEN INSTALLING, REMOVING AND STORING TO AVOID DAMAGING THE OUTER CASING, HEARTH OR DOOR.

- 2.1 Remove the 4 dome nuts retaining the door, see Diagram 1. Take care when removing the door as it is heavy. Place carefully to one side.



- 2.2 Refit in reverse order.
- 2.3 Ensure that the rope seal on the back of the door is intact, locate the door on the 4 studs and slide back to the firebox. Secure in place using the 4 dome nuts. Do not over tighten the nuts, see Diagram 1.

NEVER OPERATE THE APPLIANCE WHEN THE DOOR IS REMOVED, OR THE GLASS IS BROKEN.

- 2.4 Replace ALL of the securing nuts ensuring that a nut is present on all fixing studs.



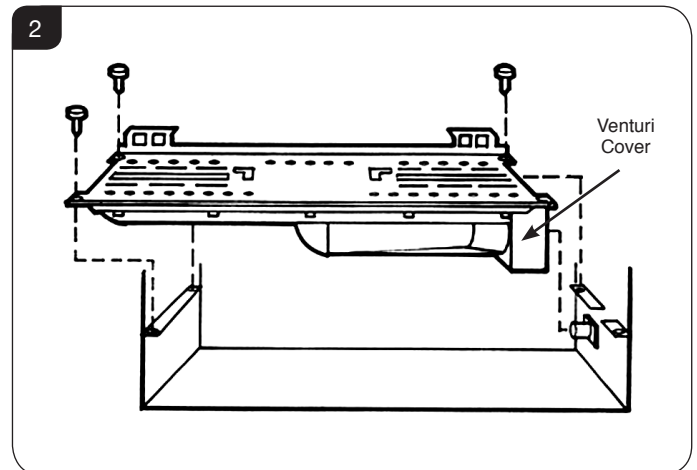
UNDER NO CIRCUMSTANCES SHOULD THE APPLIANCE BE USED IF ANY OF THE DOOR RETAINING NUTS ARE LOOSE OR MISSING.

3. Main Burner

- 3.1 Turn the gas supply off at the isolation device, remove the door and place to one side, carefully remove the ceramic fuel bed components.
- 3.2 Remove the 3 securing screws, 2 at the rear and 1 at the front left hand side, see Diagram 2.
- 3.3 Raise the left hand side of the burner to clear the bracket, draw the left hand side forward.

The burner venturi is engaged over the injector. When removing the burner be sure to clear the injector, this will release the right hand side of the burner.

Take care when removing the burner so as not to damage the pilot burner.



- 3.4 To replace the burner, engage the venturi over the injector ensuring the burner sits on top of the fixing bracket. Push the burner to the right and whilst holding, insert the three fixing screws.

NOTE: BEFORE REPLACING THE BURNER, ENSURE THE SILICONE SEAL AROUND THE INJECTOR IS INTACT AND CHECK THAT VENTURI COVER IS ATTACHED.

4. Pilot Unit

The pilot assembly consists of four components, which can be individually changed, these are:

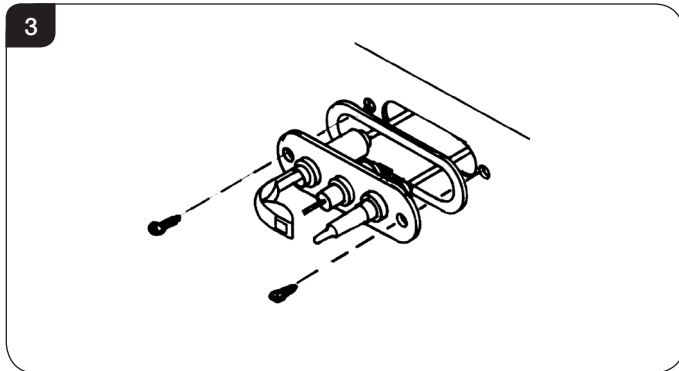
- 4a) Pilot burner bracket
- 4b) Pilot injector
- 4c) Electrode
- 4d) Thermocouple

- 4.1 Turn the gas supply off at the isolation device, remove the door and place to one side, carefully remove the ceramic fuel bed components.
- 4.2 Remove the main burner, see Section 3.

Servicing Instructions - Replacing Parts

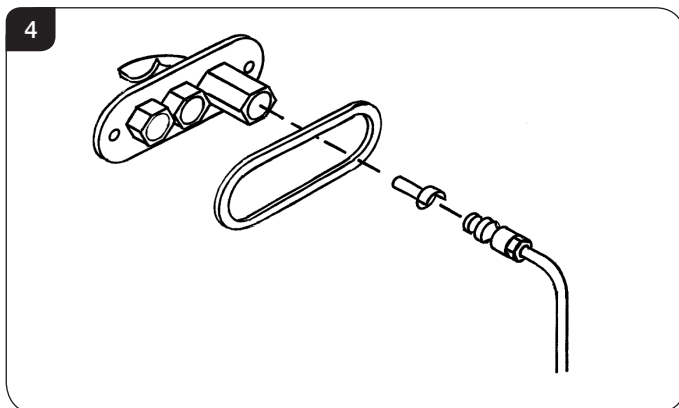
4a. Pilot Burner Bracket

- 4.3 Remove the 2 fixing screws from the pilot bracket, see Diagram 3. Gently draw the assemble away from the firebox to give access to the nuts and ignition lead.



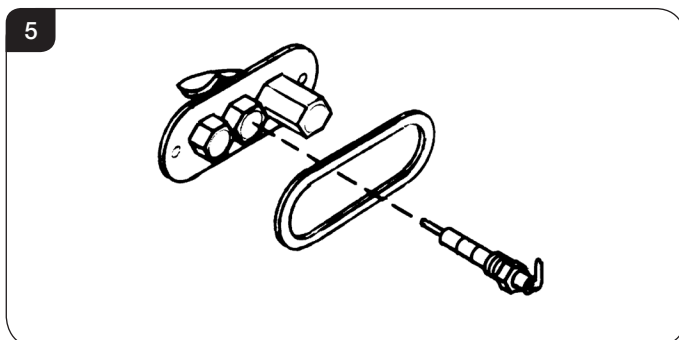
4b. Pilot Injector

- 4.4 Undo the compression nut on the pilot feed pipe and withdraw the injector which will be hooked onto the olive. When replacing an injector always make sure it is hooked onto the olive before inserting it into the pilot burner, see Diagram 4.



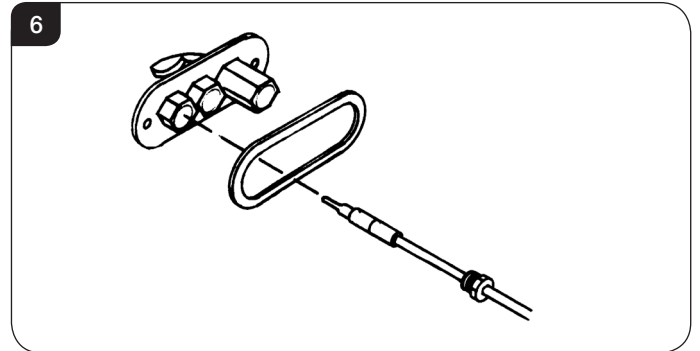
4c. Electrode

- 4.5 Disconnect the ignition lead and undo the retaining nut. The electrode can now be removed, note the orientation of the electrode terminal when reassembling, see Diagram 5.

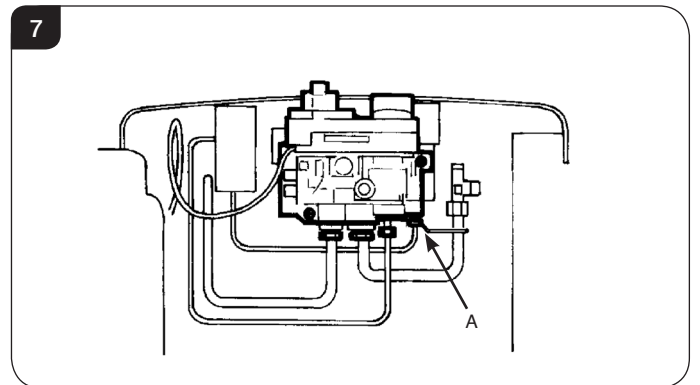


4d. Thermocouple

- 4.6 Undo the retaining nut and withdraw the thermocouple, see Diagram 6.



- 4.7 Undo the thermocouple from the back of the gas valve, see Diagram 7.



- 4.8 Reassemble in reverse order. Do not overtighten.

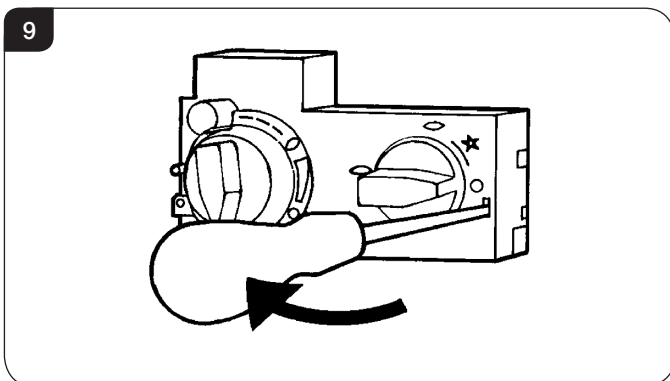
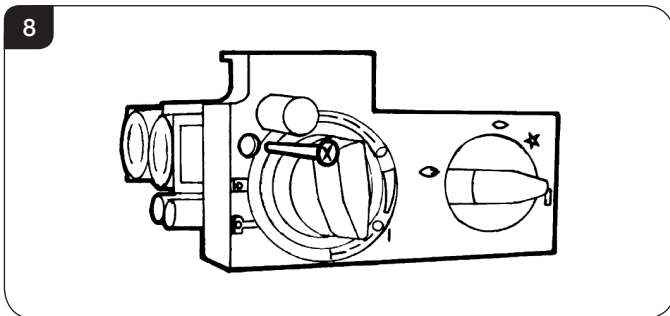
NOTE: Special care should be taken when replacing the thermocouple to the back of the gas valve ensuring that the sensor wires for the Gazco flue sure system are not disconnected.

Servicing Instructions - Replacing Parts

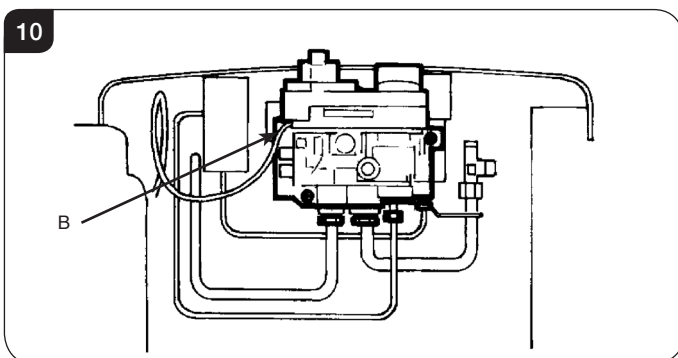
5. Ignition Lead

- 5.1 To access the back of the pilot assembly, see Section 3.
- 5.2 Disconnect the ignition lead from the electrode.
- 5.3 Remove the front cover from the control valve by removing the retaining screw, see Diagram 8 and gently levering clear with flat bladed screwdriver, see Diagram 9.

NOTE: There is a small cylindrical metal spacer inside the cover, this must be kept and replaced on the fixing screw on re-assembly.



- 5.4 Disconnect the end of the ignition lead from the valve body, see Diagram 10, Arrow B, note the existing route of the ignition lead.



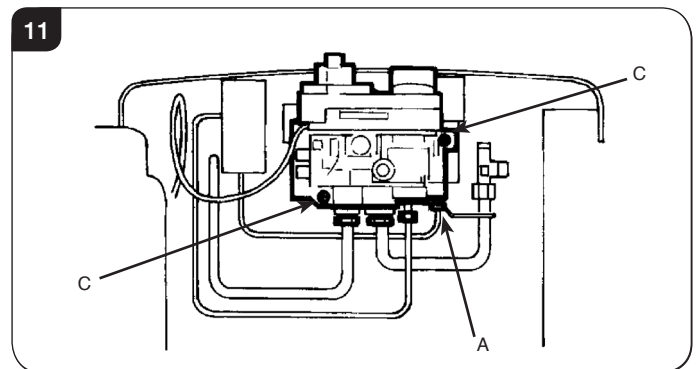
- 5.5 Replace with a new ignition lead following the same route as the old one.
- 5.6 Replace the valve cover and the pilot assembly.
- 5.7 Check operation of the new ignition lead.

6. Piezo

- 6.1 The piezo assembly used on this appliance is not serviceable and is not likely to fail.
- 6.2 If a new piezo is required it will be necessary to change the valve, see Section 7.

7. Gas Valve

- 7.1 Turn the gas supply off at the isolation device.
- 7.2 Disconnect the 2 x 8mm and 1 x 4mm gas pipe fittings at the back of the gas valve.
- 7.3 Disconnect the thermocouple, see Diagram 11, Arrow A.



- 7.4 Remove the control valve cover and disconnect the ignition lead from the gas valve, see Section 5.
- 7.5 Undo the two bolts securing the gas valve to the appliance and remove the valve, see Diagram 11, Arrow C.
- 7.6 Replace in reverse order.
- 7.7 Check all joints for gas leaks and check operation of the thermocouple and ignition lead.

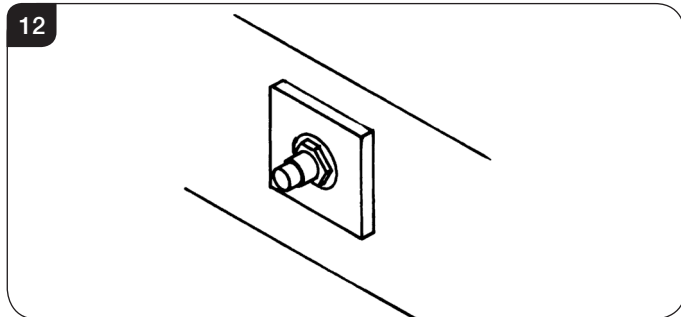
8. Magnetic Safety Valve

- 8.1 Turn the gas supply off at the isolation device.
- 8.2 Undo the thermocouple connection from the back of the gas valve.
- 8.3 Pull the sensor leads clear and remove the interrupter block.
- 8.4 Undo the magnetic valve retaining nut at the back of the control valve, see Diagram 11, Arrow A.
- 8.5 Gently tap out the magnetic valve and replace with a new unit.
- 8.6 Replace the retaining nut and tighten.
- 8.7 Reassemble the interrupter block and leads. Secure the thermocouple connection in the rear of the gas control. (Do not over tighten).
- 8.8 Turn the gas supply on and check the entire pipe work and valve joints for any leaks.

Servicing Instructions - Replacing Parts

9. Main Injector

- 9.1 Turn the gas supply off at the isolation device.
- 9.2 Remove the main burner, see Section 3.
- 9.3 Undo the compression nut from the feed pipe at the gas control under the appliance.
- 9.4 Working from inside the firebox, remove the lock nut from the injector, see Diagram 13.



- 9.5 Extract the injector with the feed pipe from beneath the appliance.
- 9.5 Holding the injector with a spanner, undo the feed pipe. **NOTE: THE ORIENTATION OF THE INJECTOR.**
- 9.6 Reassemble in reverse order,
- 9.7 Turn on the gas supply and check for any leaks.

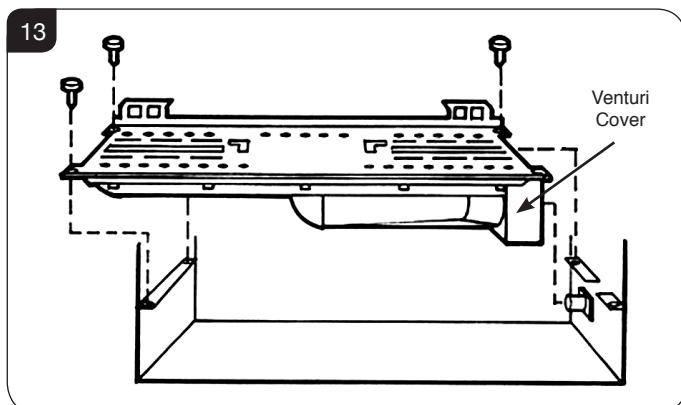
10. Gazco Flue Sure System

- 10.1 Remove the cast iron door by removing the 4 dome nuts. Place carefully to one side.

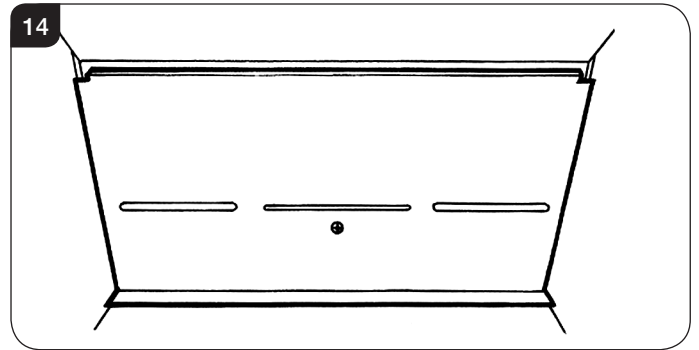


IMPORTANT: THE OUTER PANNELLING AND DOOR OF THE APPLIANCE IS MADE FROM CAST IRON. TAKE CARE WHEN INSTALLING, REMOVING AND STORING TO AVOID DAMAGING THE OUTER CASING, HEARTH OR DOOR.

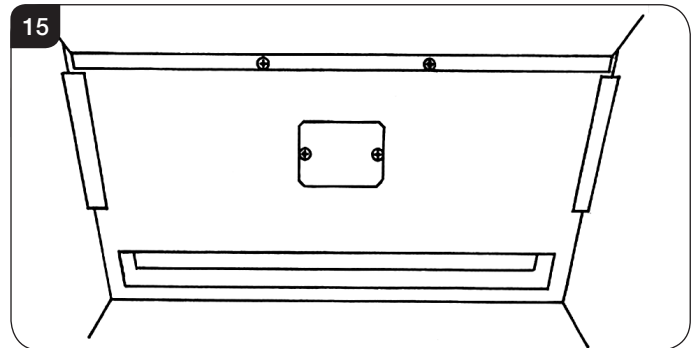
- 10.2 Carefully remove the coal retainer and ceramic components and place to one side.
- 10.3 Remove the burner casting by removing the three screws located on the sides of the burner skin.



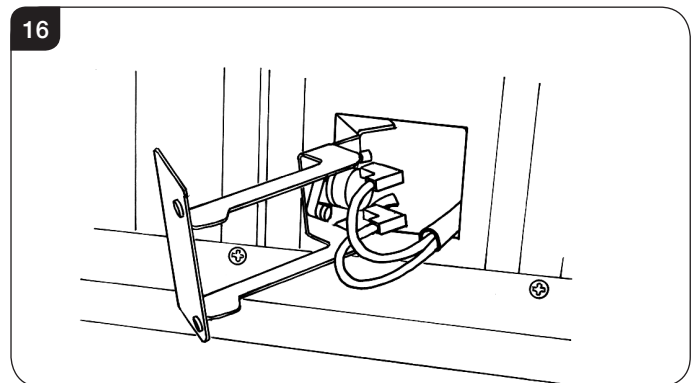
- 10.4 Remove the screw on the back panel and remove the panel, see Diagram 14.



- 10.5 Undo the 2 screws at the back of the firebox and carefully withdraw the bracket.

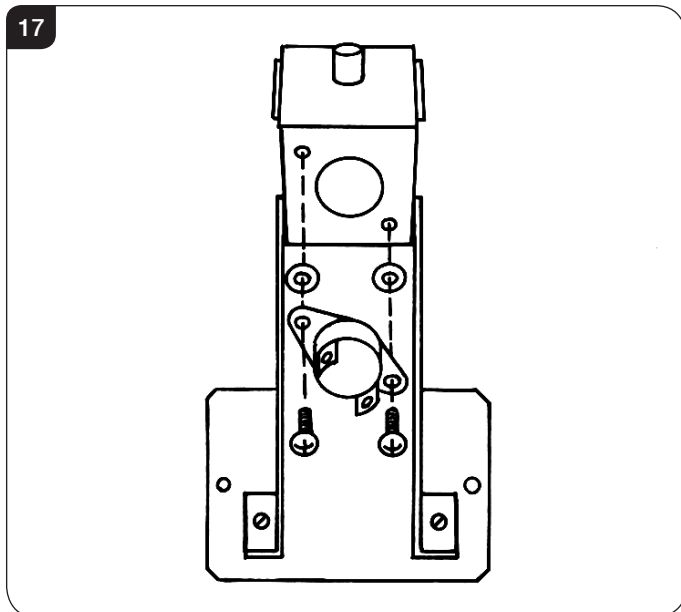


- 10.6 Disconnect the two sensor wires.
- 10.7 Undo the 2 retaining screws
- 10.8 Remove the sensor and the 2 plastic spacers, see Diagram 16.

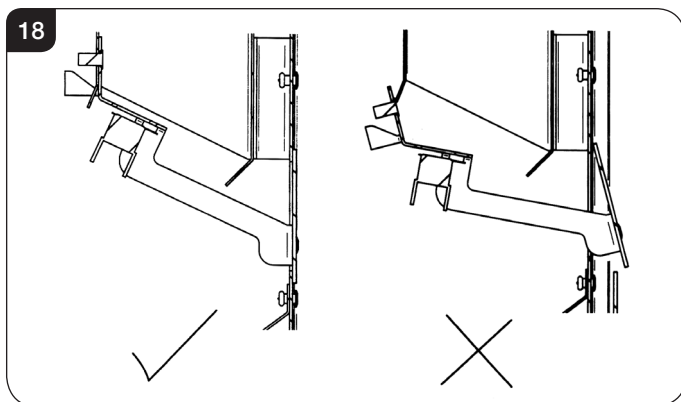


Servicing Instructions - Replacing Parts

- 10.9 Refit the new sensor, ensuring that the plastic spacers are between the sensor and the bracket. Refit the leads, see Diagram 17.



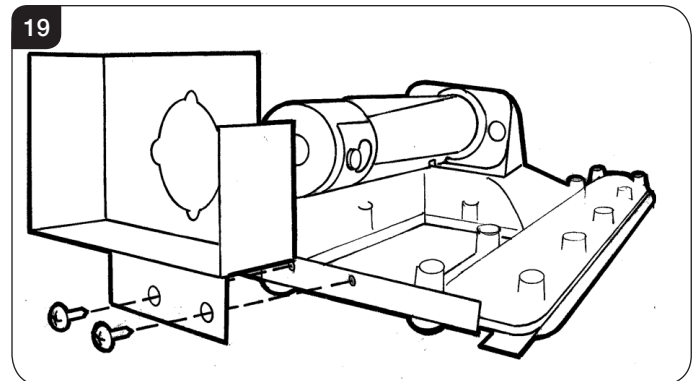
- 10.10 Feed the cable back through the hole as you replace the bracket. When the bracket is located correctly it will sit flush with the back panel without force required. If not positioned correctly the bracket will sit at an angle, see Diagram 18.



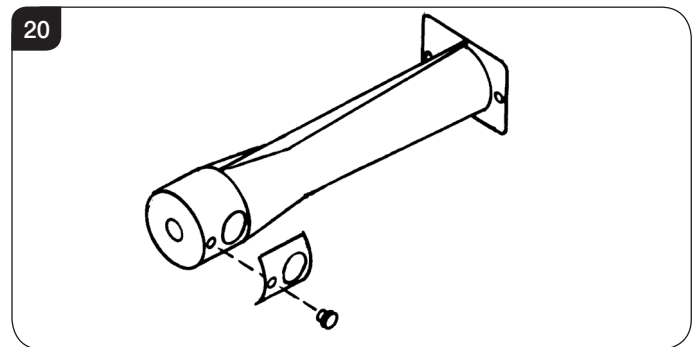
11. Primary Aeration Plate

- 11.1 Turn the gas supply off at the isolation device.
11.2 Remove the main burner, see Section 3.

- 11.3 Remove the 2 screws on the burner skin to detach the venturi cover from the venturi. Slide the venturi cover off the venturi, see Diagram 19.



- 11.4 Refer to the technical specification and databadge to check the gas type and its required aeration plate. Change the aeration plate, if necessary.



- 11.5 Reassemble in reverse order with correct aeration plate(s).
Note: Even if no aeration plate is required, the small screw(s) must be replaced.

12. Changing Between Gas Types

In order to change between gas types you must change the following items:

- Pilot Injector
- Control Valve **
- Main Injector
- Main Burner
- Aeration Plate
- Data Badge

The relevant parts can be ordered from the parts list, always quote the appliance type and serial number when ordering spare parts.

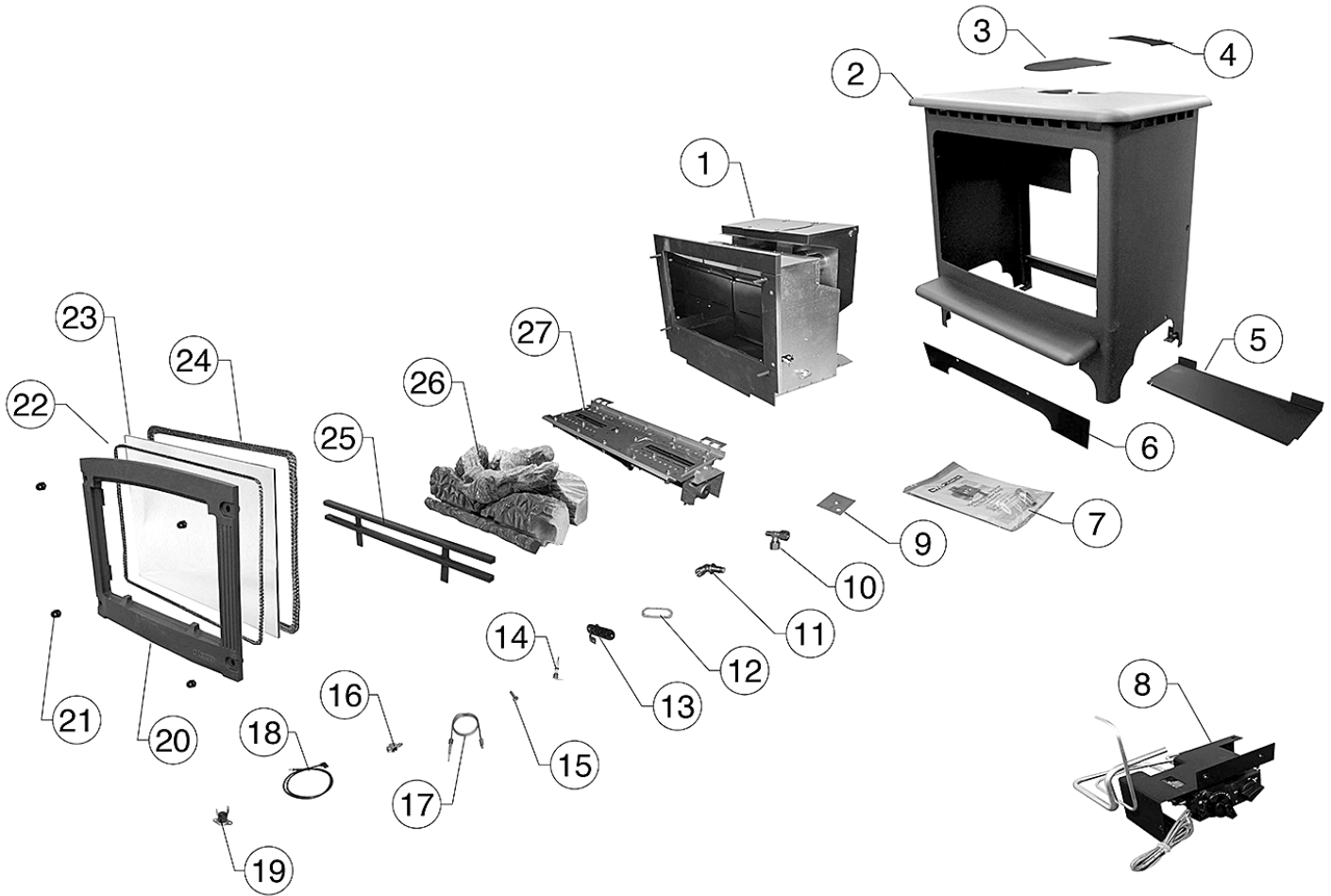
****NOTE: THE CONTROL VALVE IS FACTORY-SET FOR THE CORRECT GAS TYPE AND MODEL. A NEW UNIT WILL NEED TO BE ORDERED WHEN CHANGING BETWEEN GAS TYPES.**

13. Control Upgrade

See Installation Instructions, Section 2.

Servicing Instructions - Replacing Parts

14. Short Spares List - Marlborough Medium



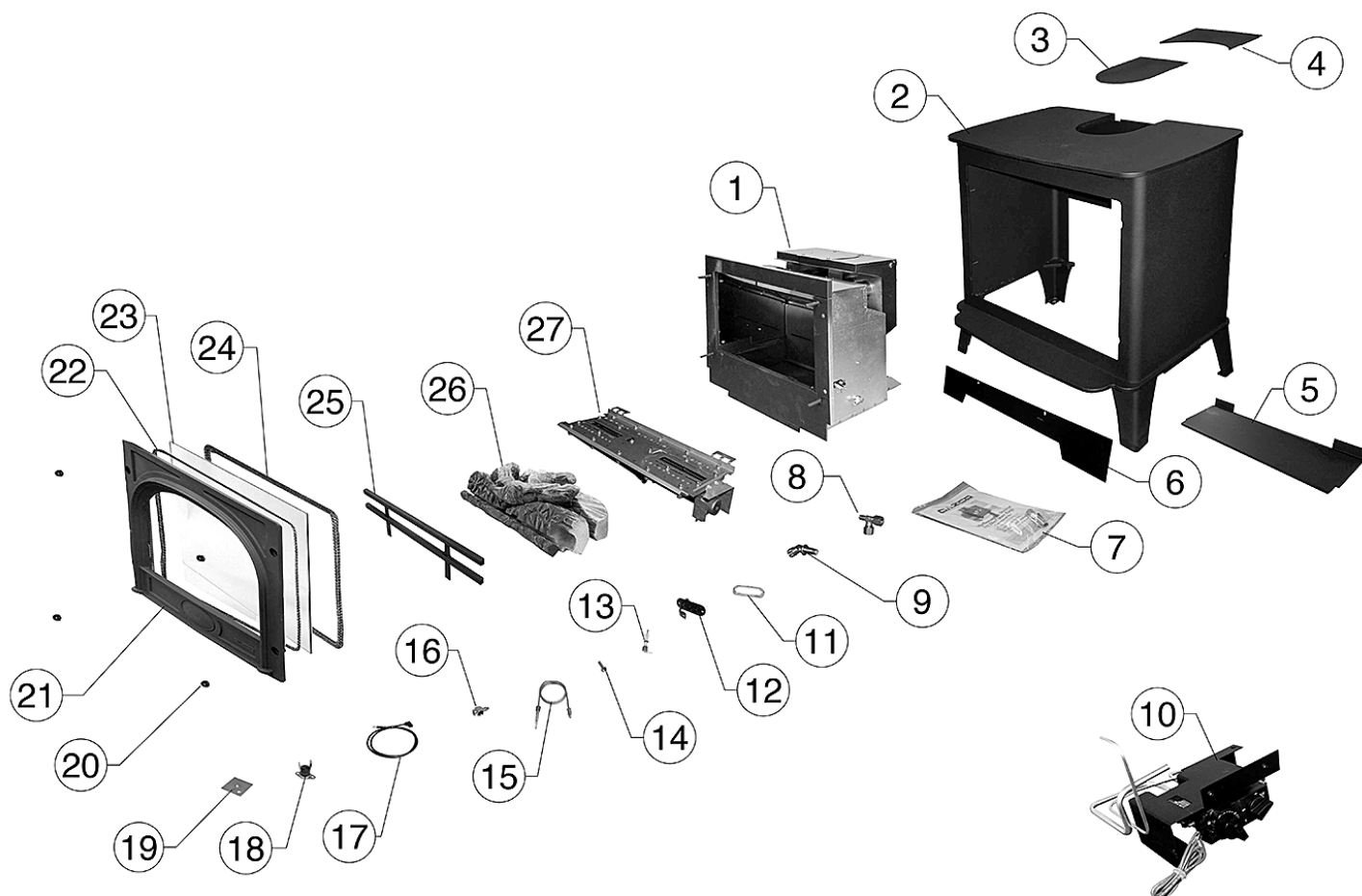
No.	Component	Part Code		
		Natural Gas	LPG	Quantity
1	Firebox	GZ5753		1
2	Carcass Assembly	GZ1139		1
3	Rear Exit Blanking Plate	MEC0096		1
4	Top Exit Blanking Plate	MEC0098		1
5	Heat Shield	GZ1076		1
6	Skirt	GZ3607		1
7	Instruction Kit	GZ5811		1
8	Control Assembly	B0161		1
9	Aeration Plate	N/A	GZ5387	1
10	Pressure Test Elbow	IN0009		1
11	Elbow Injector	Size 375 IN0045	Size 165 IN0030	1
12	Pilot Gasket	PI0052		1
13	Pilot Body	PI0051		1

No.	Component	Part Code		
		Natural Gas	LPG	Quantity
14	Electrode	PI0053		1
15	Pilot Injector	PI0026	PI0015	1
16	Interrupter Block	GC0026		1
17	Thermocouple	PI0010		1
18	Flue Sensor Leads	EL0064		2
19	Flue Sensor	EL0001		1
20	Cast Door	CA0216		1
21	Black Dome Nuts	FA0259		4
22	4mm Diameter Ropeseal	FA0136		1
23	Glass Panel	CE0133		1
24	12mm Diameter Ropeseal	FA0135		1
25	Log Retainer	CA0652		1
26	Log Set	CE0583		1
27	Burner Tray Assembly	GZ5369	GZ5388	1

Due to continual technical improvements please check online at www.gazcospares.com or with your Gazco retailer for the most up to date parts lists.

Servicing Instructions - Replacing Parts

14. Short Spares List - Stockton Medium



No.	Component	Part Code		
		Natural Gas	LPG	Quantity
1	Firebox	GZ5754		1
2	Carcass Assembly	GZ3251		1
3	Rear Exit Blanking Plate	MEC7040		1
4	Top Exit Blanking Plate	MEC7258		1
5	Heat Shield	GZ1076		1
6	Skirt	GZ3608		1
7	Instruction Kit	GZ5811		1
8	Pressure Test Elbow	IN0009		1
9	Elbow Injector	Size 375 IN0045	Size 165 IN0030	1
10	Control Assembly	B0162		1
11	Pilot Gasket	PI0052		1
12	Pilot Body	PI0051		1
13	Electrode	PI0053		1

No.	Component	Part Code		
		Natural Gas	LPG	Quantity
14	Pilot Injector	PI0026	PI0015	1
15	Thermocouple	PI0010		1
16	Interrupter Block	GC0026		1
17	Flue Sensor Leads	EL0064		2
18	Flue Sensor	EL0001		1
19	Aeration Plate	N/A	GZ1350	1
20	Black Dome Nuts	FA0259		4
21	Cast Door	CA7046		1
22	4mm Diameter Ropeseal	FA0136		1
23	Glass Panel	CE0194		1
24	12mm Diameter Ropeseal	FA0135		1
25	Log Retainer	CA0652		1
26	Log Set	CE0583		1
27	Burner Tray Assembly	GZ5369	GZ5388	1

Due to continual technical improvements please check online at www.gazcospares.com or with your Gazco retailer for the most up to date parts lists.

Servicing Instructions - Replacing Parts

14. Short Spares List - Control Assembly - All Models



No.	Component	Part Code		
		Natural Gas	LPG	Quantity
1	Control Valve	GC0088K		1
2	Control Valve Cover	GC0087		1
3	Magnetic Unit	GC0166		1
4	Micro Switch & Screw	EL0241		1
5	Standard Handset	EL0239		1
6	Thermostatic Handset	EL0240		1
7	Standard Receiver	EL0235		1
8	Thermostatic Receiver	EL0236		1
9	Thermostatic Receiver Cable	EL0238		1
10	Standard Receiver Cable	EL0237		1
11	Geared Motor	EL0234		1
12	Ignition Lead	GC0090		1

Due to continual technical improvements please check online at www.gazcospares.com or with your Gazco retailer for the most up to date parts lists.

Service Records

1ST SERVICE

Date of Service
Next Service Due
Signed
Retailer's Stamp/GasSafe Registration Number

3RD SERVICE

Date of Service
Next Service Due
Signed
Retailer's Stamp/GasSafe Registration Number

5TH SERVICE

Date of Service
Next Service Due
Signed
Retailer's Stamp/GasSafe Registration Number

7TH SERVICE

Date of Service
Next Service Due
Signed
Retailer's Stamp/GasSafe Registration Number

9TH SERVICE

Date of Service
Next Service Due
Signed
Retailer's Stamp/GasSafe Registration Number

2ND SERVICE

Date of Service
Next Service Due
Signed
Retailer's Stamp/GasSafe Registration Number

4TH SERVICE

Date of Service
Next Service Due
Signed
Retailer's Stamp/GasSafe Registration Number

6TH SERVICE

Date of Service
Next Service Due
Signed
Retailer's Stamp/GasSafe Registration Number

8TH SERVICE

Date of Service
Next Due
Signed
Retailer's Stamp/GasSafe Registration Number

10TH SERVICE

Date of Service
Next Service Due
Signed
Retailer's Stamp/GasSafe Registration Number

Gazco Limited, Osprey Road, Sowton Industrial Estate, Exeter, Devon, England EX2 7JG
Technical Customer Services: (01392) 261950 Fax: (01392) 261951
E-mail: technicalservices@gazco.com

A member of the Stovax Group
E & O E