

STOVAX

Fire Your Imagination

Riva Studio

Free Standing Stove - Smoke Control Version
Inset Convectector Cassette - Smoke Control Version



Instructions for fitting Smoke Control Kit

For use in GB & IE (Great Britain & Republic of Ireland).



IMPORTANT

THE OUTER CASING, FRONT AND GLASS PANEL BECOME EXTREMELY HOT DURING OPERATION AND WILL RESULT IN SERIOUS INJURY AND BURNS IF TOUCHED. IT IS THEREFORE RECOMMENDED THAT A FIREGUARD COMPLYING WITH BS 8423:2002 IS USED IN THE PRESENCE OF YOUNG CHILDREN, THE ELDERLY OR INFIRM.

This appliance will become hot whilst in operation, it is therefore recommended that a suitable guard should be used for the protection of young children, the elderly or infirm. Do not attempt to burn rubbish in this appliance. Please read these Instructions carefully before installation or use.

Keep them in a safe place for future reference and when servicing the fire.

THESE INSTRUCTIONS MUST BE READ IN CONJUNCTION WITH PM274/ PM452

Contents

Riva Studio - Free Standing Stove/ Inset Convector Cassette

Covering the following models:

RVS-500/RVS-1/RVS-2/RVFS-500/RVFS1/RVFS-2

User Instructions	3
Recommended Fuels	3
Lighting the appliance	3
Running the appliance	4
Refuelling the appliance	4
Burning Tips	4
Installation Instructions	5
Parts List	5
Installation	5

User Instructions

1. General Points

- 1.1 These instructions apply to the Riva Studio products listed when fitted with a Smoke Control kit.

NOTE: These appliances have been independently tested to PD6434 and have been exempt from the controls that generally apply in smoke control areas hence are considered suitable for use in Smoke Control Area when burning wood and ONLY when fitted with the relevant Smoke Control kit detailed below.

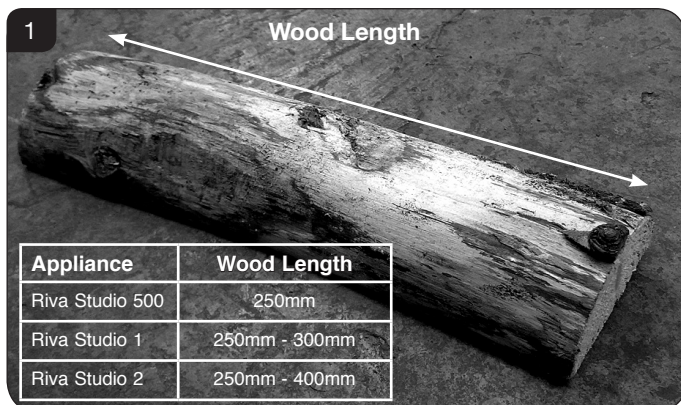
Product Code	Appliance	Smoke control kit Part No.
RVS-500	Riva Studio Cassette 500	RVS500SCKIT
RVS-1	Riva Studio Cassette 1	RVS1SCKIT
RVS-2	Riva Studio Cassette 2	RVS2SCKIT
RVFS-500	Riva Studio Freestanding 500	RVS500SCKIT
RVFS-1	Riva Studio Freestanding 1	RVS1SCKIT
RVFS-2	Riva Studio Freestanding 2	RVS2SCKIT

- 1.2 To meet the Smoke Control requirement this appliance must be operated correctly in order to minimise the amount of smoke produced.
- 1.3 Burn only dry wood.
- 1.4 These instructions must be left with the user and kept with the original instructions they now supersede.

2. Recommended Fuels

2.1 Wood Logs:

Burn only seasoned timber with a moisture content of less than 20%. To ensure this allow cut wood to dry for 12 to 18 months.



Poor quality timber:

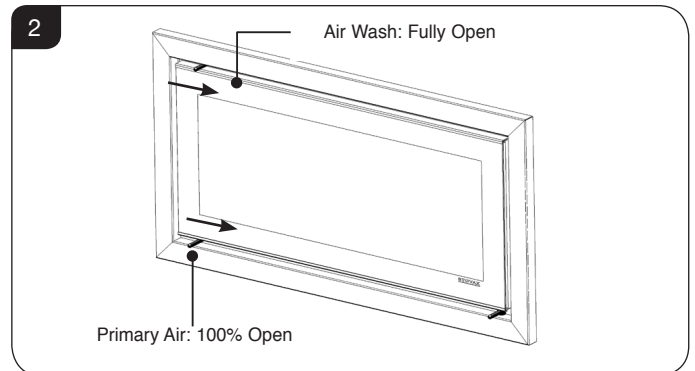
Poor quality timber:

- Causes low combustion efficiency
- Produces harmful condensation
- Reduces effectiveness of the airwash and life of the appliance

Do not burn construction timber, painted, impregnated / treated wood, manufactured board products or pallet wood.

3. Lighting the Appliance

- 3.1 For best results set air controls as shown in Diagram 2.



- 3.2 Place firelighters or paper and dry kindling wood on the base bricks.
- 3.3 Light the paper or firelighters, see Diagram 3.



- 3.4 Leave the door slightly open as the fire establishes.
- 3.5 Add larger pieces of wood.
Too many logs may smother the fire.
- 3.6 Leave the door open slightly until the larger pieces are well alight.

Fuel Loading:

These are wide appliances and the logs should be laid out in a single layer with gaps between, see Diagram 4.

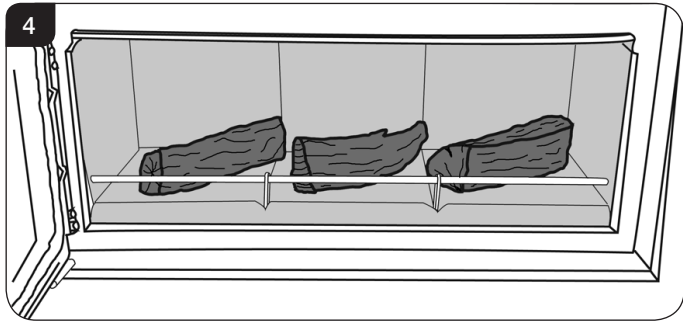
Do not stack the logs on top of each other as this could effect the efficiency.

Do not overload the appliance as too much fuel could cause it to over-fire.

Suggested Loads:

Studio 500 - 2/3 logs no bigger than 5" (127mm) diameter
Studio 1 & 2 - 3/4 logs no bigger than 5" (127mm) diameter
Studio 3 - 4/5 logs no bigger than 5" (127mm) diameter

User Instructions



3.7 Close the door.

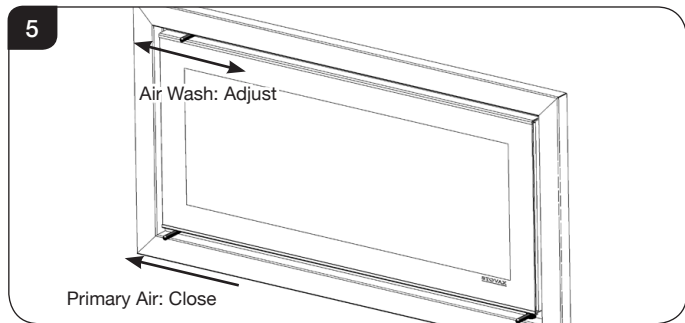
Do not leave the door open as this could over-fire and damage the appliance.

Refuel as detailed in Section 5.

4. Running the Appliance

4.1 **Burning Wood:**

Close the **Primary Air control** and use the **Airwash** to control the temperature, see Diagram 5.



5. Refuelling the Appliance

5.1 Open the Primary Air and Airwash controls fully.

Rake the embers evenly over the firebed to establish a glowing firebed. If the firebed is low add a small amount of kindling wood to help re-establish the fire.

These are wide appliances and the logs should be laid out in a single layer with gaps between, see Diagram 4.

Do not stack the logs on top of each other as this could effect the efficiency.

DO NOT OVERLOAD THE APPLIANCE AS TOO MUCH FUEL COULD CAUSE IT TO OVER-FIRE.

5.2 After refuelling:

Burn the new logs at high output for a few minutes before closing the Primary Air control. Adjust the burn rate using the Airwash control.

Do not close the air controls until the fire is burning well.

5.3 Experience establishes settings to suit personal preferences.

5.4 **Do not burn large amounts of fuel with the **Airwash control** closed for long periods of time. This reduces the glass cleaning effect, causes tars and creosotes to build-up in the appliance and flue system and will produce excessive amounts of smoke.**

5.5 When in use, running the appliance at a high temperature for a short period also reduces tars and creosotes.

5.6 When running the appliance **refuel little and often for clean, efficient burning.**

5.7 Wood burns best on a bed of ash (approx 1" deep).

A bright and clean firebox indicates the appliance is burning well.

Fuel Overloading

The maximum amount of fuel specified in this manual should not be exceeded, overloading can cause excess smoke.

5.8 **Do not burn continuously with the door open.**

6. Burning Tips

6.1 **Fuel Quality (Wood)**

Use wood with a moisture content of less than 20%. Seasoned logs have the bark beginning to lift and peel away and cracks radiating from the centre. They feel lighter than fresh cut wood of a similar size and sound hollow when struck against each other. Logs should not feel damp or have moss and fungal growths.

Symptoms related to wet wood:

- Difficulty starting and keeping a fire burning well.
- Smoke and small flames.
- Dirty glass and/or firebricks.
- Rapid creosote build-up in the chimney.
- Low heat output.
- Short burn times, excessive fuel consumption and blue/grey smoke from the chimney.

Run at a high temperature for a short period each day to avoid large build-ups of tars and creosote within the appliance and the flue system. Use Stovax Protector chimney cleaner to reduce this problem.

Installation Instructions

These instructions cover the fitting of the Smoke Control Kit
(Note: 2 people are required for removal and refitting of inner box.)

1. Parts List

Product Code	Appliance	Smoke control kit Part No.
RVS-500	Riva Studio Cassette 500	RVS500SCKIT
RVS-1	Riva Studio Cassette 1	RVS1SCKIT
RVS-2	Riva Studio Cassette 2	RVS2SCKIT
RVFS-500	Riva Studio Freestanding 500	RVS500SCKIT
RVFS-1	Riva Studio Freestanding 1	RVS1SCKIT
RVFS-2	Riva Studio Freestanding 2	RVS2SCKIT

RVS500SCKIT:

- 1 x Airwash Control slider
- 1 x Primary Air Control slider
- 1 x Instructions

RVS1SCKIT:

- 1 x Airwash Control slider
- 1 x Primary Air Control slider
- 1 x Instructions

RVS2SCKIT:

- 1 x Airwash Control slider
- 1 x Primary Air Control slider
- 1 x Instructions

2. Smoke Control Kit Fitting Instructions

To install the Smoke Control kit:

- 2.1 Remove internal parts - Log guard / Baffle / Bricks.
- 2.2 Remove door as detailed in the main instructions (PM274).

Take care with these parts and protect them from damage.

Note: If the appliance has been used the vermiculite bricks and baffle may become fragile so take care when handling them.

- 2.3 Remove the inner box as detailed in the main instructions. PM274/ PM452.

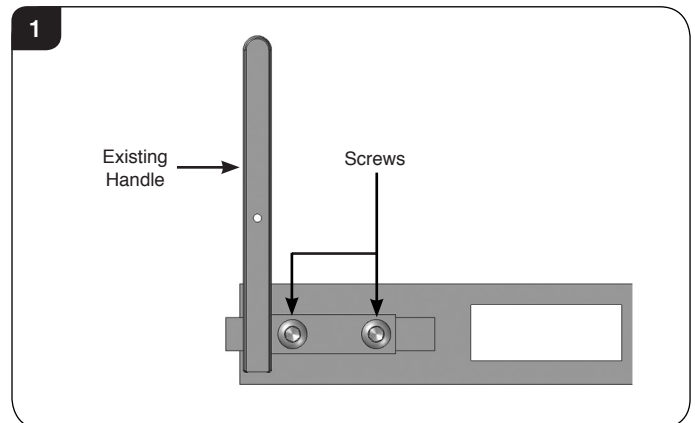
This will require 2 people.

Lay the box in a safe position on its back, to give working access to the air control sliders.

3. Removal & Fitting of the Slider Handle

In order to replace the control sliders it will be necessary to reuse the handles from the existing sliders.

- 3.1 Remove the Airwash and Primary Sliders - See Sections 4 & 5.
- 3.2 Detach the handle by undoing the 2 screws that secure it to the slider. Retain the screws to refit the handle, see Diagram 1.

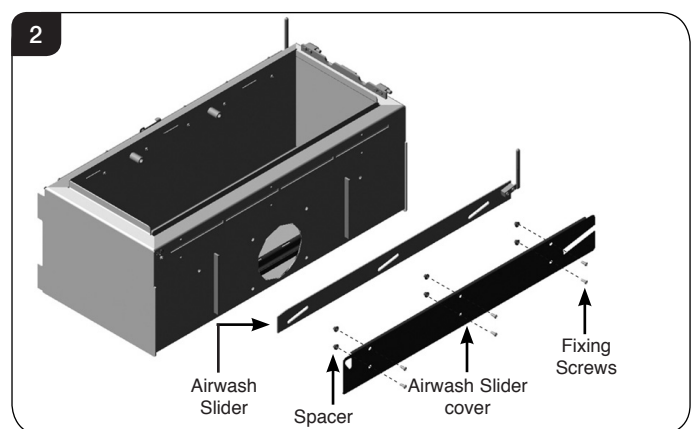


- 3.3 Fit the handle to the new slider by lining up the holes in the handle with the ones on the new slider and fastening with the original screws.
- 3.4 The slider can now be fitted to the appliance.

4. Fitting Airwash Slider (Above Door)

To fit the Airwash slider:

- 4.1 Remove the Airwash slider cover by undoing the fixing screws. Note the position and orientation of the spacers.



- 4.2 Remove the airwash slider.
- 4.3 Fit new airwash slider - process is the reverse of previous.
- 4.4 Check spacers are correctly fitted, fixing bolts are tight and slider operates freely.

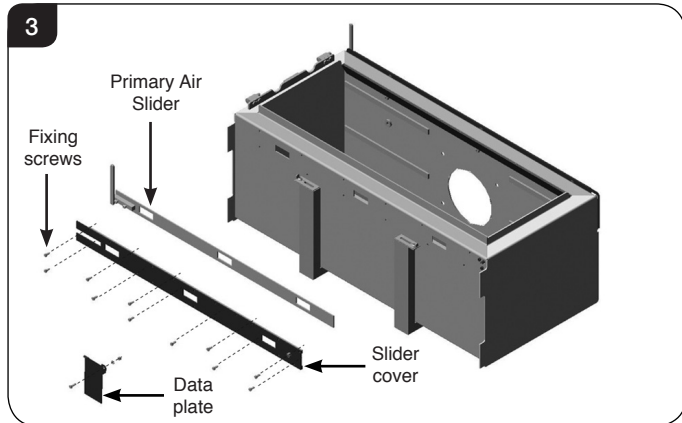
The distance the slider moves will now be reduced.

Installation Instructions

5. Fitting Primary Air Control (Below Door)

To fit the Primary Air control:

- 5.1 Remove the data plate by undoing the fixing bolt.

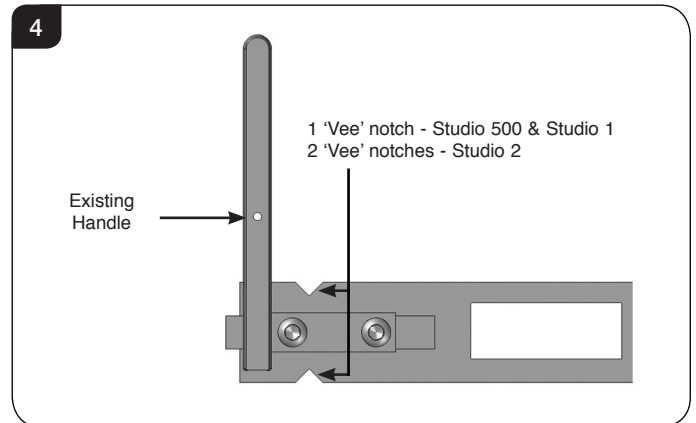


- 5.2 Remove the primary slider cover by undoing the fixing bolts.
- 5.3 Remove the primary slider and replace with new primary slider.
- 5.4 Re-fit the slider cover and data plate - fitting is the reverse of previous.
- 5.5 Check fixing bolts are tight and slider operates freely.
- 5.6 Refit the inner box.
- 5.7 Refit internal parts - Bricks / Baffle / Log guard.
- 5.8 Refit door as detailed in the main instructions.
- 5.9 Re-check the operation of the air controls, door hinges and catch.

Appliances with a smoke control kit fitted can be identified as shown:

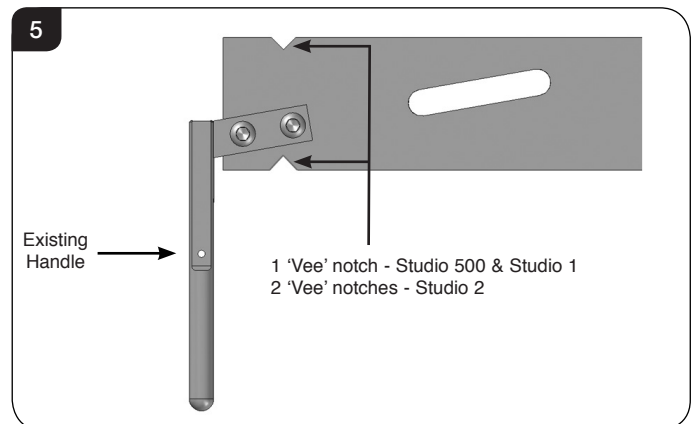
Primary Air

The slider has 1 or 2 'Vee' notches depending on model, see Diagram 4.



Airwash Control

The slider has 1 or 2 'Vee' notches depending on model, see Diagram 5.



The Clean Air Act 1993 and Smoke Control Areas

Under the Clean Air Act local authorities may declare the whole or part of the district of the authority to be a smoke control area. It is an offence to emit smoke from a chimney of a building, from a furnace or from any fixed boiler if located in a designated smoke control area. It is also an offence to acquire an “unauthorised fuel” for use within a smoke control area unless it is used in an “exempt” appliance (“exempted” from the controls which generally apply in the smoke control area).

The Secretary of State for Environment, Food and Rural Affairs has powers under the Act to authorise smokeless fuels or exempt appliances for use in smoke control areas in England. In Scotland and Wales this power rests with Ministers in the devolved administrations for those countries. Separate legislation, the Clean Air (Northern Ireland) Order 1981, applies in Northern Ireland. Therefore it is a requirement that fuels burnt or obtained for use in smoke control areas have been “authorised” in Regulations and that appliances used to burn solid fuel in those areas (other than “authorised” fuels) have been exempted by an Order made and signed by the Secretary of State or Minister in the devolved administrations.

Further information on the requirements of the Clean Air Act can be found here: <http://smokecontrol.defra.gov.uk/>

Your local authority is responsible for implementing the Clean Air Act 1993 including designation and supervision of smoke control areas and you can contact them for details of Clean Air Act requirements”

STOVAX

Stovax Ltd, Falcon Road, Sowton Industrial Estate, Exeter, Devon, England EX2 7LF

Tel: (01392) 474011 Fax: (01392) 219932 E-mail: info@stovax.com www.stovax.com